

## STANDARD EQUIPMENT

|  |
|--|
| ISO Standard cabin   |
| All-weather steel cab with 360° visibility                       |
| Safety glass windows   |
| Rise-up type windshield wiper                                    |
| Sliding fold-in front window                                     |
| Sliding side window(LH)  |
| Lockable door  |
| Hot & cool box   |
| Storage compartment & Ashtray                                    |
| Cabin roof-steel cover   |
| Radio & USB player   |
| 12 volt power outlet (24V DC to 12V DC converter)                |
| Computer aided power optimization (New CAPO) system              |
| 3-power mode, 2-work mode, User mode                             |
| Auto deceleration & one-touch deceleration system                |
| Auto warm-up system  |
| Auto overheat prevention system                                  |
| Automatic climate control  |
| Air conditioner & heater   |
| Defroster  |
| Self-diagnostics system  |
| Starting Aid (air grid heater) for cold weather                  |
| Centralized monitoring   |
| LCD display  |
| Engine speed or Trip meter/Accel.                                |
| Clock  |
| Gauges   |
| Fuel level gauge   |
| Engine coolant temperature gauge                                 |
| Hyd. oil temperature gauge                                       |
| Warnings   |
| Overload   |
| Communication error  |
| Low battery  |
| Air cleaner clogging   |
| Indicators   |
| Max power  |
| Low speed/High speed   |
| Fuel warmer  |
| Auto idle  |
| Door and cab locks, one key                                      |
| Two outside rearview mirrors                                     |
| Fully adjustable suspension seat with seat belt                  |
| Pilot-operated slidable joystick                                 |
| Six front working lights (4 boom mounted, 2 front frame mounted) |
| Electric horn  |
| Batteries (2 x 12V x 160 AH)                                     |
| Battery master switch  |
| Removable clean-out dust net for cooler                          |
| Automatic swing brake  |
| Removable reservoir tank   |
| Fuel pre-filter  |
| Boom holding system  |
| Arm holding system   |
| Track shoes (600mm, 24")   |
| Track rail guard   |
| Accumulator for lowering work equipment                          |
| Electric transducer  |
| Lower frame under cover (Normal)                                 |

## OPTIONAL EQUIPMENT

|   |
|---|
| Fuel filler pump (35 L/min)                   |
| Beacon lamp                                   |
| Single-acting piping kit (breaker, etc.)      |
| Double-acting piping kit (clamshell, etc.)    |
| Quick coupler                                 |
| Travel alarm                                  |
| Booms   |
| 6.15 m, 20' 2"                                |
| 6.5 m, 21' 4"                                 |
| 6.5 m, 21' 4" Heavy Duty                      |
| 8.6 m, 28' 3"                                 |
| Arms  |
| 2.5 m, 8' 2"                                  |
| 3.2 m, 10' 6"                                 |
| 3.2 m, 10' 6" Heavy Duty                      |
| 3.9 m, 12' 10"                                |
| 4.3 m, 14' 1"                                 |
| 5.1 m, 16' 9"                                 |
| Climate control                               |
| Air conditioner only                          |
| Heater only                                   |
| Cabin FOPS (ISO 10262 Level II)               |
| FOPS (Falling Object Protective Structure)    |
| Cabin lights                                  |
| Cabin front window rain guard                 |
| Sun visor                                     |
| Track shoes                                   |
| Double grousers shoe (600mm, 24")             |
| Double grousers shoe (700mm, 28")             |
| Triple grousers shoe (700mm, 28")             |
| Triple grousers shoe (750mm, 30")             |
| Triple grousers shoe (800mm, 32")             |
| Triple grousers shoe (900mm, 36")             |
| Triple grousers shoe, heavy duty (600mm, 24") |
| Triple grousers shoe, heavy duty (700mm, 28") |
| Full track rail guard                         |
| Lower frame under cover (Additional)          |
| Pre-heating system, coolant                   |
| Operator suit                                 |
| Tool kit                                      |
| Seat  |
| Mechanical suspension seat with heater        |
| Hi-mate (Remote Management System)            |
| Fuel warmer                                   |
| Air compressor                                |
| Rear work lamp                                |

\* Standard and optional equipment may vary. Contact your Hyundai dealer for more information. The machine may vary according to International standards.  
 \* The photos may include attachments and optional equipment that are not available in your area.  
 \* Materials and specifications are subject to change without advance notice.  
 \* All imperial measurements rounded off to the nearest pound or inch.



Head Office(Sales Office)  
 11F, GLOBAL R&D CENTER, 477 BUNDANG SUSEO-RO, BUNDANG-GU, SEONGNAM-SI, GYEONGGI-DO, 13553, KOREA

THE OFFICIAL DEALER OF HYUNDAI  
 «TYAZHPROMINVEST» (TPI, LLC)  
 105082 MOSCOW STREET B.POCHTOVAYA D.26/1 OFF.605

+7 (495) 782-73-79  
 +7 (800) 550-73-35

WWW.T-P-I.RU  
 HYUNDAI-MSK@T-P-I.RU

2024. JAN

# Robex 430LC-9SH

With Tier 2 Engine installed





# Pride at Work

Hyundai Heavy Industries strives to build state-of-the-art earthmoving equipment to give every operator maximum performance, more precision, versatile machine preferences, and proven quality. Take pride in your work with Hyundai!

## Robex 430LC-95H

### Machine Walk-Around

#### Engine Technology

Easy & Simple serviceability  
Low noise / Auto engine warm up feature / Anti-restart feature

#### Hydraulic System Improvements

New patented hydraulic control for improved controllability / Improved control valve design for added efficiency and smoother operation / New auto boom and swing priority system for optimum speed / New auto power boost feature for additional power when needed / Improved arm-in and boom-down flow regeneration system for added speed and efficiency

#### Pump Compartment

Industry-leading, powerful, reliable Kawasaki designed, variable volume in-line axial piston pumps  
New compact solenoid block equipped with 3 solenoid valves, 1 EPPR valve, 1 check valve accumulator and pilot filter - controls 2 speed travel, power boost, boom priority, safety lock

#### Enhanced Operator Cab

##### Improved Visibility

Enlarged cab with improved visibility  
Larger right-side glass, now one piece, for better right visibility  
Safety glass windows on all sides - less expensive than (polycarbonate) and won't scratch or fade  
Closeable sunshade for operator convenience / Reduced front window seam for improved operator view

##### Improved Cab Construction

New steel tube construction for added operator safety, protection and durability  
New window open/close mechanism designed with cable and spring lift assist and single latch release

##### Improved Suspension Seat / Console Assembly

Ergonomic joysticks with auxiliary control buttons for attachment use. Now with new sleek styling

##### Advanced 7" Color Cluster

New Color LCD Display with easy to read digital gauges for hydraulic oil temperature, water temperature, and fuel. Simplified design makes adjustment and diagnostics easier. Also, new enhanced features such as rear-view camera are integrated into monitor.  
3 power modes : (P) Power, (S) Standard, (E) Economy, 2 work modes : Dig & Attachment, (U) User mode for operator preference  
Enhanced self-diagnostic features with GPS / satellite technology  
One pump flow or two pump flow for optional attachment is now selectable through the cluster / New anti-theft system with password capability  
Boom speed and arm regeneration are selectable through the monitor.  
Auto power boost is now available - selectable (on/off) through the monitor.  
Powerful air conditioning and heat with auto climate control, 20% more heat and air output than 7 series!  
RMS (Remote Management System) works through GPS/satellite technology to ultimately provide better customer service and support.

#### Undercarriage

Sealed track chain (urethane seals) / Standard track rail guard / Comfortable bolt-on steps  
Large upper roller cut-outs for debris clean-out / Tapered side frames for debris clean-out / Grease-type track tensioner

\*Photo may include optional equipment.



# Preference

Operating a 9S Series is unique to every operator. Operators can fully customize their work environment and operating preferences to fit their individual needs.



\*Photo may include optional equipment.

## Operator Comfort

In 9S Series cabin you can easily adjust the seat, console and armrest settings to best suit your personal operating preferences. Seat and console position can be set together and independent from each other. Other preference settings that add to overall operator comfort include the fully automatic high capacity airconditioning system and the radio / USB player.



## Reduced Stress

Work is stressful enough. Your work environment should be stress free. Hyundai's 9S Series provides improved cab amenities, additional space and a comfortable seat to minimize stress to the operator. A powerful climate control system provides the operator with optimum air temperature. An advanced audio system with USB player, AM/FM stereo is perfect for listening to music favorites.



## Operator - Friendly Cluster

The advanced new cluster with 7 inch wide color LCD screen and toggle switch allows the operator to select his personal machine preferences. Power and work mode selection, self diagnostics, optional rear-view camera, maintenance check lists, start-up machine security, and were integrated into the cluster to make the machine more versatile and the operator more productive.



## Wide Cabin with Excellent Visibility

The newly designed cabin was conceived for more space, a wider field of view and operator comfort. Special attention was given to a clear, open and convenient interior with plenty of visibility on the machine surroundings and the job at hand. This well balanced combination of precision aspects put the operator in the perfect position to work safely and securely.





# Precision

Innovative hydraulic system technologies make the 9S series excavator fast, smooth and easy to control.



## Computer Aided Power

The engine horsepower and hydraulic horsepower together in unison through the advanced CAPO(Computer Aided Power Optimization) system, flow for the job at hand. Operator can set their own preferences for boom or swing priority, power mode selection and optional work tools at the touch of a button.

The CAPO system also provides complete self diagnostic features and digital gauges for important information like hydraulic oil temperature, water temperatures and fuel level. This system interfaces with multiple sensors placed throughout the hydraulic system as well as the hydraulic flow.

### Power Mode

P (Power Max) mode maximizes machine speed and power for mass production. S (Standard) mode provides a reduced, fixed rpm for optimum performance and improved fuel economy. For maximum fuel savings and improved control, E (Economy) mode provides precise flow based on load demand. Three unique power modes provide the operator with custom power, speed and fuel economy.

### Work Mode

The work mode allows the operator to select single flow attachments like a hydraulic breaker or bi-directional flow attachments like a crusher. Flow settings unique to each attachment can be programmed from within the cluster.

### User Mode

Some jobs require more precise machine settings. Using the versatile U (User) mode, the operator can customize engine speed, pump output, idle speed and other machine settings for the job at hand.

## Improved Hydraulic System



To achieve optimum precision, Hyundai redesigned the hydraulic system to provide the operator with super fine touch and improved controllability. Improved pump flow control reduces flow when controls are not being used to minimize fuel consumption.

Improved spool valves in the control valve are engineered to provide more precise flow to each function with less effort.

Improved hydraulic valves, precision-designed variable volume piston pumps, fine-touch pilot controls, and enhanced travel functions make any operator running a 9S

Series look like a smooth operator. Newly improved features include arm-in and boom-down flow regeneration, improved control valve technology and innovative auto boom and swing priority for optimal performance in any application.

## Auto Boom-swing Priority

This smart function automatically and continuously looks the ideal hydraulic flow balance for the boom and swing motions of the machine. The advanced CAPO system monitors the hydraulic system and adjusts its settings to maximize performance and productivity.





# Performance

9S series is designed for maximum performance to keep the operator working productively.



\*Photo may include optional equipment.



## Track Rail Guard & Adjusters

Durable track rail guards keep track links in place. Track adjustment is made easy with standard grease cylinder track adjusters and shock absorbing springs.

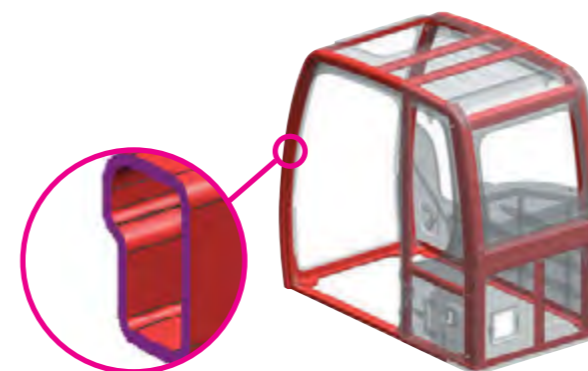
## HYUNDAI D6AC-C ENGINE

The six cylinders, 4 cycle, turbo-charged, charger air cooled engine is built for power, reliability, economy and low emissions.

### A More Reliable Way To Reach Your Dream.

When you have a tough job to do, you need power precision and flexibility of Hyundai D6AC-C engine. It is built to withstand the toughest work environment. Bearings have more surface area to handle higher loads with greater durability. Reduced friction in the power cylinder means longer life and increased power output. From the structurally reinforced block to the stiffened gear housing, the D6AC-C is built stronger to last longer.

The D6AC-C engine is capable of reaching Tier 2 emission standards without electronic engine controls. It uses durable mechanical IN-LINE fuel injection system. You get a proven power plant that meets ecological concerns, without paying a premium for technology you don't need.



## Structure Strength

The 9S series cabin structure has been fitted with stronger but slimmer tubing for more safety and improved visibility. Low-stress, high strength steel is integrally welded to form a stronger, more durable upper and lower frame. Structural integrity was tested by way of FEM (Finite Elements Method) analysis and long-term durability tests.





# Profitability

9S series is designed to maximize profitability through improved efficiencies, enhanced service features and longer life components.



## Fuel Efficiency

9S Series excavators are engineered to be extremely fuel efficient. New innovations like two-stage auto decel system and the new economy mode help to conserve fuel and reduce the impact on the environment.



### Hi-MATE (Remote Management System)

Hi-MATE, Hyundai's proprietary remote management system, provides operators and dealer service personnel access to vital service and diagnostic information on the machine from any computer with internet access. Users can pinpoint machine location using digital mapping and set machine work boundaries, reducing the need for multiple service calls. Hi-MATE saves time and money for the owner and dealer by promoting preventative maintenance and reducing machine downtime.



### Easy Access

Ground-line access to filters, lube fittings, fuses, machine computer components and wide open compartments makes service more convenient on the 9S series.

## Long-Life Components

9S series excavators were designed with bushings designed for long-life lube intervals (250 hrs) & polymer shims (wear resistant, noise reducing), long-life hydraulic filters (1,000hrs), long-life hydraulic oil (5,000hrs), more efficient cooling systems and integrated preheating systems which extend service intervals, minimize operating costs and reduce machine down time.



\*Photo may include optional equipment.

# Specifications

## ENGINE

|                            |   |                |                              |
|----------------------------|---|----------------|------------------------------|
| MODEL                      | HYUNDAI D6AC-C  |                |                              |
| Type                       | Water cooled, 4 cycle Diesel,<br>6-cylinders in line, direct injection,<br>turbocharged, charger air cooled, low emission |                |                              |
| Rated flywheel horse power | SAE   | J1995 (gross)  | 276 HP (206 kW) at 1,900 rpm |
|                            |   | J1349 (net)    | 261 HP (195 kW) at 1,900 rpm |
|                            | DIN   | 6271/1 (gross) | 280 PS (206 kW) at 1,900 rpm |
|                            |   | 6271/1 (net)   | 265 PS (195 kW) at 1,900 rpm |
| Max. torque                | 120.0kgf.m (868lbf.ft)/1,400rpm   |                |                              |
| Bore X stroke              | 130mm X 140mm (9.56" X 10.3")   |                |                              |
| Piston displacement        | 11,149cc (680 in <sup>3</sup> )   |                |                              |
| Batteries                  | 2 X 12V X 160AH   |                |                              |
| Starting motor             | 24V, 5.5 kW   |                |                              |
| Alternator                 | 24V, 70 Amp   |                |                              |

## HYDRAULIC SYSTEM

|  |  |
|--|--|
| <b>MAIN PUMP</b>                           |  |
| Type                                       | Variable displacement tandem axis piston pumps |
| Rated flow                                 | 2 X 333 L/min (88 US gpm / 73.2 UK gpm)        |
| Sub-pump for pilot circuit                 | Gear pump                                      |
| Cross-sensing and fuel saving pump system. |  |

|                         |  |
|-------------------------|--|
| <b>HYDRAULIC MOTORS</b> |  |
| Travel                  | Two speed axial pistons motor with brake valve and parking brake |
| Swing                   | Axial piston motor with automatic brake                          |

|                                 |                                     |
|---------------------------------|-------------------------------------|
| <b>RELIEF VALVE SETTING</b>     |                                     |
| Implement circuits              | 330 kgf/cm <sup>2</sup> (4,690 psi) |
| Travel                          | 360 kgf/cm <sup>2</sup> (5,120 psi) |
| Power boost (boom, arm, bucket) | 360 kgf/cm <sup>2</sup> (5,120 psi) |
| Swing circuit                   | 290 kgf/cm <sup>2</sup> (4,125 psi) |
| Pilot circuit                   | 40 kgf/cm <sup>2</sup> (569 psi)    |
| Service valve                   | Installed                           |

|                               |   |
|-------------------------------|---|
| <b>HYDRAULIC CYLINDERS</b>    |   |
| No. of cylinder bore X stroke | Boom: 2-160 X 1,500 mm (6.3" X 59.1")   |
|                               | Arm: 1-170 X 1,760 mm (6.7" X 69.3")    |
|                               | Bucket: 1-150 X 1,295 mm (5.9" X 51.0") |

## DRIVES & BRAKES

|                                 |   |
|---------------------------------|---|
| Drive method                    | Fully hydrostatic type                    |
| Drive motor                     | Axial piston motor, in-shoe design        |
| Reduction system                | Planetary reduction gear                  |
| Max. drawbar pull               | 34,000 kgf (74,960 lbf)                   |
| Max. travel speed(high) / (low) | 5.1 km/hr (3.5 mph) / 3.3 km/hr (2.2 mph) |
| Gradeability                    | 35° (70 %)                                |
| Parking brake                   | Multi wet disc                            |

## CONTROL

Pilot pressure operated joysticks and pedals with detachable lever provide almost effortless and fatigueless operation.

|                        |  |
|------------------------|--|
| Pilot control          | Two joysticks with one safety lever (LH): Swing and arm, (RH): Boom and bucket (ISO) |
| Traveling and steering | Two levers with pedals   |
| Engine throttle        | Electric, Dial type  |

## SWING SYSTEM

|                           |  |
|---------------------------|--|
| Swing motor               | Fixed displacement axial pistons motor |
| Swing reduction           | Planetary gear reduction               |
| Swing bearing lubrication | Grease-bathed                          |
| Swing brake               | Multi wet disc                         |
| Swing speed               | 9.6 rpm                                |

## COOLANT & LUBRICANT CAPACITY

|                                  |       |        |        |
|----------------------------------|-------|--------|--------|
| Refilling                        | liter | US gal | UK gal |
| Fuel tank                        | 550   | 145.3  | 121.0  |
| Engine coolant                   | 45    | 13.7   | 11.4   |
| Engine oil                       | 27.3  | 7.2    | 6.0    |
| Swing device-gear oil            | 8.0   | 2.1    | 1.8    |
| Final drive(each)-gear oil       | 12    | 3.2    | 2.6    |
| Hydraulic system(including tank) | 410.0 | 108.3  | 90.2   |
| Hydraulic tank                   | 210.0 | 55.5   | 46.2   |

## UNDERCARRIAGE

The X-leg type center frame is integrally welded with reinforced box-section track frames. The undercarriage includes lubricated rollers, idlers, track adjusters with shock absorbing springs and sprockets, and a track chain with double or triple grouser shoes.

|                                    |                     |
|------------------------------------|---------------------|
| Center frame                       | X - leg type        |
| Track frame                        | Pentagonal box type |
| No. of shoes on each side          | 53 EA               |
| No. of carrier roller on each side | 2 EA                |
| No. of track roller on each side   | 9 EA                |
| No. of rail guard on each side     | 2 EA                |

## OPERATING WEIGHT (APPROXIMATE)

Operating weight, including 6,500mm (21' 4") H/D boom, 3,200mm (10' 6") H/D arm, SAE heaped 1.9m<sup>3</sup> (2.12 yd<sup>3</sup>) bucket, lubricant, coolant, full fuel tank, full hydraulic tank, and all standard equipments.

|                               |                      |
|-------------------------------|----------------------|
| <b>MAJOR COMPONENT WEIGHT</b> |                      |
| Upperstructure                | 8,750 kg (19,290 lb) |
| Boom (with arm cylinder)      | 3,890 kg (8,330 lb)  |
| Arm (with bucket cylinder)    | 2,050 kg (4,430 lb)  |

|                             |               |                  |                           |
|-----------------------------|---------------|------------------|---------------------------|
| <b>OPERATING WEIGHT</b>     |               |                  |                           |
| Shoes                       |               | Operating weight | Ground pressure           |
| Type                        | Width mm (in) | kg(lb)           | kgf/cm <sup>2</sup> (psi) |
| Triple grouser              | 600 (24")     | 42,600 (93,920)  | 0.74 (10.52)              |
|                             | 700 (28")     | 43,140 (95,110)  | 0.64 (9.10)               |
|                             | 750 (30")     | 43,410 (95,700)  | 0.60 (8.53)               |
|                             | 800 (32")     | 43,680 (96,300)  | 0.57 (8.11)               |
|                             | 900 (36")     | 44,220 (97,490)  | 0.51 (7.25)               |
| Triple grouser (Heavy Duty) | 600 (24")     | 43,440 (95,770)  | 0.75 (10.67)              |
|                             | 700 (28")     | 44,380 (97,840)  | 0.66 (9.39)               |
| Double grouser              | 600 (24")     | 42,600 (93,920)  | 0.74 (10.52)              |
|                             | 700 (28")     | 43,140 (95,110)  | 0.64 (9.10)               |

## BUCKETS

All buckets are welded with high-strength steel.

|  |  |               |                |          |                           |                    |
|--|--|---------------|----------------|----------|---------------------------|--------------------|
| SAE heaped m <sup>3</sup> (yd <sup>3</sup> ) | Capacity m <sup>3</sup> (yd <sup>3</sup> ) | Width mm (in) | Weight kg (lb) | Tooth EA | Recommendation mm (ft-in) |                    |
|  |  |               |                |          | 6,500 (21' 4") Boom       |                    |
| Ⓔ 1.90 (2.49)                                | 1.65 (2.16)                                | 1,600 (63")   | 1,990 (4,390)  | 5        | 2,600 (8' 6") Arm         | 3,200 (10' 6") Arm |
|  |  |               |                |          | ●                         | ●                  |
| Ⓔ 2.10 (2.75)                                | 1.84 (2.41)                                | 1,735 (68")   | 2,090 (4,610)  | 5        | ●                         | ■                  |

Ⓔ Rock

Ⓔ 1.90  
2.10



- : Applicable for materials with density of 2,100 kg/m<sup>3</sup> (3,500 lb/yd<sup>3</sup>) or less
- : Applicable for materials with density of 1,800 kg/m<sup>3</sup> (3,000 lb/yd<sup>3</sup>) or less
- : Applicable for materials with density of 1,500 kg/m<sup>3</sup> (2,500 lb/yd<sup>3</sup>) or less
- : Applicable for materials with density of 1,200 kg/m<sup>3</sup> (2,000 lb/yd<sup>3</sup>) or less
- ▲ : Applicable for materials with density of 900 kg/m<sup>3</sup> (1,500 lb/yd<sup>3</sup>) or less
- : Not Recommended

## ATTACHMENT

Booms and arms are welded, a low-stress, full-box section design. 6.5m, 2.6m booms and 6.5m, 3.2m arms are available.

## DIGGING FORCE

|                      |        |            |                 |                 |                  |
|----------------------|--------|------------|-----------------|-----------------|------------------|
| Boom                 | Length | mm (ft-in) | 6,500 (21' 4")  |                 | Remarks          |
|                      | Weight | kg (lb)    | 3,780 (8,330)   |                 |                  |
| Arm                  | Length | mm (ft-in) | 2,600 (8' 6")   | 3,200 (10' 6")  |                  |
|                      | Weight | kg (lb)    | 1,990 (4,390)   | 2,010 (4,430)   |                  |
| Bucket digging force | SAE    | kN         | 200.2 [218.4]   | 200.1 [218.2]   | [ ]: Power Boost |
|                      |        | kgf        | 20,410 [22,270] | 20,400 [22,260] |                  |
|                      |        | lbf        | 45,000 [49,090] | 44,970 [49,060] |                  |
|                      | ISO    | kN         | 228.7 [249.5]   | 228.6 [249.4]   |                  |
|                      |        | kgf        | 23,320 [25,440] | 23,310 [25,430] |                  |
|                      |        | lbf        | 51,410 [56,080] | 51,390 [56,060] |                  |
| Arm crowd force      | SAE    | kN         | 180.7 [197.2]   | 152.2 [166.0]   |                  |
|                      |        | kgf        | 18,430 [20,110] | 15,520 [16,940] |                  |
|                      |        | lbf        | 40,630 [44,320] | 34,220 [37,330] |                  |
|                      | ISO    | kN         | 188.0 [205.1]   | 157.5 [171.8]   |                  |
|                      |        | kgf        | 19,170 [20,910] | 16,060 [17,520] |                  |
|                      |        | lbf        | 42,260 [46,100] | 35,410 [38,630] |                  |

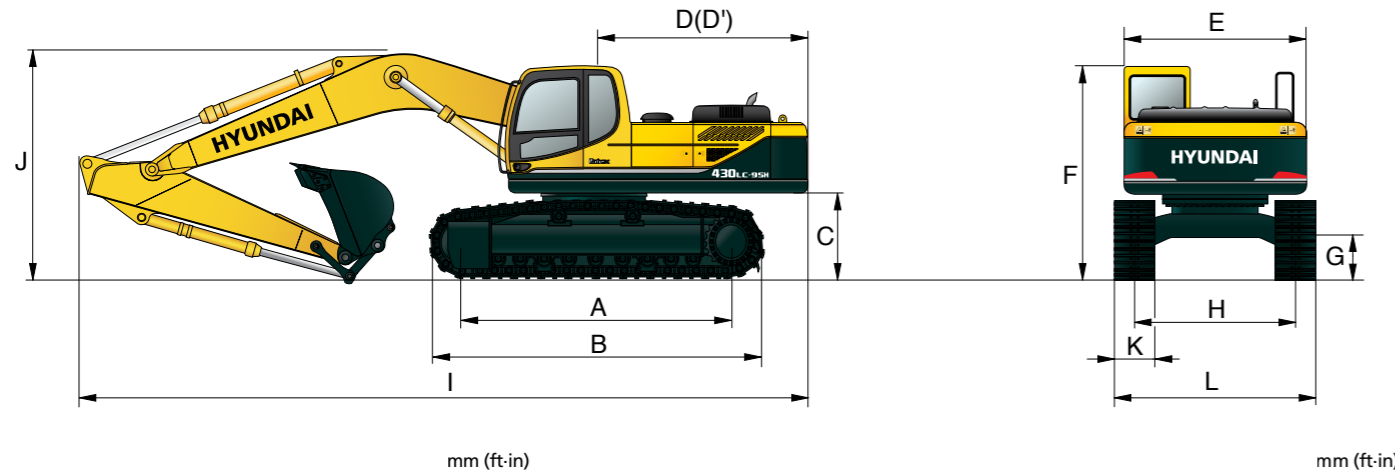
Note: Boom weight includes arm cylinder, piping, and pin

Arm weight includes bucket cylinder, linkage, and pin



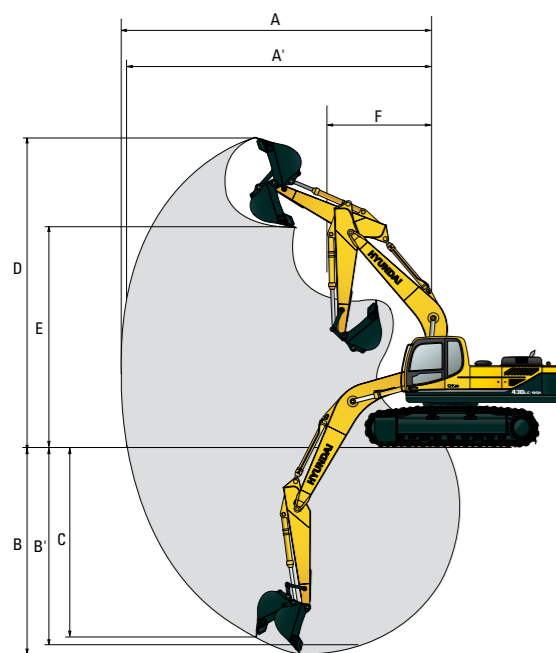
# Dimensions & Working Range

## R430LC-9SH DIMENSIONS



| mm (ft-in)                          |                 | mm (ft-in)                              |  |                |  |  |
|-------------------------------------|-----------------|---|--|----------------|--|--|
| A Tumbler distance                  | 4,470 (14' 3")  | Boom length 6,500 (21' 4")              |  |                |  |  |
| B Overall length of crawler         | 5,462 (17' 4")  | Arm length 2,600 (8' 6")                |  | 3,200 (10' 6") |  |  |
| C Ground clearance of counterweight | 1,295 (4' 3")   | I Overall length 11,240 (36' 11")       |  |                |  |  |
| D Tail swing radius                 | 3,415 (11' 2")  | J Overall height of boom 3,780 (12' 5") |  |                |  |  |
| D' Rear-end length                  | 3,350 (10' 12") | K Track shoe width 600 (24")            |  |                |  |  |
| E Overall width of upperstructure   | 2,980 (9' 9")   | 700 (28")                               |  |                |  |  |
| F Overall height of cab             | 3,190 (10' 5")  | 750 (30")                               |  |                |  |  |
| G Min. ground clearance             | 555 (1' 10")    | 800 (32")                               |  |                |  |  |
| H Track gauge                       | 2,740 (8' 12")  | 900 (36")                               |  |                |  |  |
|                                     |                 | L Overall width 3,340 (10' 11")         |  |                |  |  |
|                                     |                 | 3,440 (11' 3")                          |  |                |  |  |
|                                     |                 | 3,490 (11' 5")                          |  |                |  |  |
|                                     |                 | 3,540 (11' 7")                          |  |                |  |  |
|                                     |                 | 3,640 (11' 11")                         |  |                |  |  |

## R430LC-9SH WORKING RANGE



| mm (ft-in)                         |                 | mm (ft-in)       |  |                |  |  |
|------------------------------------|-----------------|------------------|--|----------------|--|--|
| Boom length                        |                 | 6,500 (21' 4")   |  |                |  |  |
| Arm length                         |                 | 2,600 (8' 6")    |  | 3,200 (10' 6") |  |  |
| A Max. digging reach               | 10,820 (35' 6") | 11,250 (36' 11") |  |                |  |  |
| A' Max. digging reach on ground    | 10,580 (34' 9") | 11,030 (36' 2")  |  |                |  |  |
| B Max. digging depth               | 6,870 (22' 6")  | 7,470 (24' 6")   |  |                |  |  |
| B' Max. digging depth (8' level)   | 6,690 (21' 11") | 7,310 (23' 12")  |  |                |  |  |
| C Max. vertical wall digging depth | 6,000 (19' 8")  | 6,290 (20' 8")   |  |                |  |  |
| D Max. digging height              | 10,710 (35' 2") | 10,630 (34' 11") |  |                |  |  |
| E Max. dumping height              | 7,480 (24' 6")  | 7,470 (24' 6")   |  |                |  |  |
| F Min. swing radius                | 4,530 (14' 10") | 4,450 (14' 7")   |  |                |  |  |

# Lifting Capacity

## R430LC-9SH

Rating over-front Rating over-side or 360 degree

Boom : 6.5 m (21' 4") / Arm : 2.6 m (10' 6") / Bucket : 2.10 m<sup>3</sup> (2.75 yd<sup>3</sup>) SAE heaped / Shoe : 600mm(24") triple grouser

| Load point height<br>m (ft) |    | Load radius  |        |               |        |               |        |               |        |               |        |               |       | At max. reach |  |        |        |        |        |
|-----------------------------|----|--------------|--------|---------------|--------|---------------|--------|---------------|--------|---------------|--------|---------------|-------|---------------|--|--------|--------|--------|--------|
|                             |    | 1.5 m (5 ft) |        | 3.0 m (10 ft) |        | 4.5 m (15 ft) |        | 6.0 m (20 ft) |        | 7.5 m (25 ft) |        | 9.0 m (30 ft) |       | Capacity      |  | Reach  |        |        |        |
|                             |    |              |        |               |        |               |        |               |        |               |        |               |       |               |  | m (ft) |        |        |        |
| 9.0 m (30 ft)               | kg |              |        |               |        |               |        |               |        |               |        |               |       |               |  |        | *6020  | *6020  | 7.12   |
|                             | lb |              |        |               |        |               |        |               |        |               |        |               |       |               |  |        | *13270 | *13270 | (23.4) |
| 7.5 m (25 ft)               | kg |              |        |               |        |               |        |               |        |               |        |               |       |               |  |        | *5940  | 5660   | 8.39   |
|                             | lb |              |        |               |        |               |        |               |        |               |        |               |       |               |  |        | *13100 | 12480  | (27.5) |
| 6.0 m (20 ft)               | kg |              |        |               |        |               |        | *7070         | *7070  | *6570         | *6570  |               |       |               |  |        | *6020  | 4550   | 9.20   |
|                             | lb |              |        |               |        |               |        | *15590        | *15590 | *14480        | *14480 |               |       |               |  |        | *13270 | 10030  | (30.2) |
| 4.5 m (15 ft)               | kg |              |        |               |        | *10890        | *10890 | *8400         | *8400  | *7190         | 6790   |               |       |               |  |        | *6170  | 3950   | 9.69   |
|                             | lb |              |        |               |        | *24010        | *24010 | *18520        | *18520 | *15850        | 14970  |               |       |               |  |        | *13600 | 8710   | (31.8) |
| 3.0 m (10 ft)               | kg |              |        |               |        | *14190        | *14190 | *9990         | 9460   | *8020         | 6450   | 4530          |       |               |  |        | *6370  | 3670   | 9.90   |
|                             | lb |              |        |               |        | *31280        | *31280 | *22020        | 20860  | *17680        | 14220  | *11640        | 9990  |               |  |        | *14040 | 8090   | (32.5) |
| 1.5 m (5 ft)                | kg |              |        |               |        | *16530        | 13940  | *11390        | 8870   | *8820         | 6130   | *6160         | 4380  |               |  |        | *6600  | 3620   | 9.85   |
|                             | lb |              |        |               |        | *36440        | 30730  | *25110        | 19550  | *19440        | 13510  | *13580        | 9660  |               |  |        | *14550 | 7980   | (32.3) |
| Ground                      | kg |              |        |               |        | *17350        | 13540  | *12240        | 8510   | *9360         | 5910   |               |       |               |  |        | *6850  | 3810   | 9.55   |
| Line                        | lb |              |        |               |        | *38250        | 29850  | *26980        | 18760  | *20640        | 13030  |               |       |               |  |        | *15100 | 8400   | (31.3) |
| -1.5 m (-5 ft)              | kg |              |        |               |        | *18300        | *18300 | *17100        | 13500  | *12400        | 8380   | *9440         | 5820  |               |  |        | *7060  | 4330   | 8.95   |
|                             | lb |              |        |               |        | *40340        | *40340 | *37700        | 29760  | *27340        | 18470  | *20810        | 12830 |               |  |        | *15560 | 9550   | (29.4) |
| -3.0 m (-10 ft)             | kg | *20700       | *20700 | *22350        | *22350 | *15910        | 13710  | *11730        | 8470   |               |        |               |       |               |  |        | *7110  | 5430   | 8.00   |
|                             | lb | *45640       | *45640 | *49270        | *49270 | *35080        | 30230  | *25860        | 18670  |               |        |               |       |               |  |        | *15670 | 11970  | (26.2) |
| -4.5 m (-15 ft)             | kg |              |        |               |        | *18450        | *18450 | *13360        | *9560  | 8830          |        |               |       |               |  |        | *6560  | *6560  | 6.49   |
|                             | lb |              |        |               |        | *40680        | *40680 | *29450        | *21080 | 19470         |        |               |       |               |  |        | *14460 | *14460 | (21.3) |

Boom : 6.5 m (21' 4") / Arm : 3.2 m (10' 6") / Bucket : 1.90 m<sup>3</sup> (2.49 yd<sup>3</sup>) SAE heaped / Shoe : 600mm(24") triple grouser

| Load point height<br>m (ft) |    | Load radius  |        |               |        |               |        |               |        |               |        |               |       | At max. reach |  |        |        |        |             |  |
|-----------------------------|----|--------------|--------|---------------|--------|---------------|--------|---------------|--------|---------------|--------|---------------|-------|---------------|--|--------|--------|--------|-------------|--|
|                             |    | 1.5 m (5 ft) |        | 3.0 m (10 ft) |        | 4.5 m (15 ft) |        | 6.0 m (20 ft) |        | 7.5 m (25 ft) |        | 9.0 m (30 ft) |       | Capacity      |  | Reach  |        |        |             |  |
|                             |    |              |        |               |        |               |        |               |        |               |        |               |       |               |  | m (ft) |        |        |             |  |
| 9.0 m (30 ft)               | kg |              |        |               |        |               |        |               |        |               |        |               |       |               |  |        | *5360  | *5360  | 7.74        |  |
|                             | lb |              |        |               |        |               |        |               |        |               |        |               |       |               |  |        | *11820 | *11820 | (25.4)      |  |
| 7.5 m (25 ft)               | kg |              |        |               |        |               |        |               |        | *3900         | *3900  |               |       |               |  |        | *5410  | 5250   | 8.91        |  |
|                             | lb |              |        |               |        |               |        |               |        | *8600         | *8600  |               |       |               |  |        | *11930 | 11570  | (29.2)      |  |
| 6.0 m (20 ft)               | kg |              |        |               |        |               |        |               |        | *5980         | *5980  |               |       |               |  |        | *5540  | 4300   | 9.68        |  |
|                             | lb |              |        |               |        |               |        |               |        | *13180        | *13180 |               |       |               |  |        | *12210 | 9480   | (31.8)      |  |
| 4.5 m (15 ft)               | kg |              |        |               |        |               |        |               |        | *7640         | *7640  |               |       |               |  |        | *5730  | 3760   | 10.14       |  |
|                             | lb |              |        |               |        |               |        |               |        | *16840        | *16840 |               |       |               |  |        | *12630 | 8290   | (33.3)      |  |
| 3.0 m (10 ft)               | kg |              |        |               |        | *12880        | *12880 | *9320         | *9320  | *7590         | 6670   | *3800         | *3800 |               |  |        | *5980  | 3490   | 10.34       |  |
|                             | lb |              |        |               |        | *28400        | *28400 | *20550        | *20550 | *16730        | 14700  | *8380         | *8380 |               |  |        | *13180 | 7690   | (33.9)      |  |
| 1.5 m (5 ft)                | kg |              |        |               |        | *15700        | 14410  | *10900        | 9130   | *8510         | 6310   | *5750         | 4720  |               |  |        | *6250  | 3430   | 10.29       |  |
|                             | lb |              |        |               |        | *34610        | 31770  | *24030        | 20130  | *18760        | 13910  | *12680        | 10410 |               |  |        | *13780 | 7560   | (33.8)      |  |
| Ground                      | kg |              |        |               |        | *13740        | *13740 | *17160        | 13750  | *12010        | 8670   | *9220         | 6030  |               |  |        | *6910  | 4530   | 10.01       |  |
| Line                        | lb |              |        |               |        | *30290        | *30290 | *37830        | 30310  | *26480        | 19110  | *20330        | 13290 |               |  |        | *15230 | 9990   | *14460      |  |
|                             |    |              |        |               |        |               |        |               |        |               |        |               |       |               |  |        |        |        | 7870 (32.8) |  |
| -1.5 m (-5 ft)              | kg | *14390       | *14390 | *18220        | *18220 | *17420        | 13540  | *12480        | 8450   | *9530         | 5880   | *6440         | 4380  |               |  |        | *6880  | 3980   | 9.44        |  |
|                             | lb | *31720       | *31720 | *40170        | *40170 | *38400        | 29850  | *27510        | 18630  | *21010        | 12960  | *12400        | 9660  |               |  |        | *15170 | 8770   | (31.0)      |  |
| -3.0 m (-10 ft)             | kg | *18590       | *18590 | *23550        | *23550 | *16700        | 13630  | *12190        | 8440   | *9220         | 5890   |               |       |               |  |        | *7140  | 4830   | 8.55        |  |
|                             | lb | *40980       | *40980 | *51920        | *51920 | *36820        | 30050  | *26870        | 18610  | *20330        | 12990  |               |       |               |  |        | *15740 | 10650  | (28.1)      |  |
| -4.5 m (-15 ft)             | kg | *23340       | *23340 | *21080        | *21080 | *14800        | 13960  | *10810        | 8660   |               |        |               |       |               |  |        | *7160  | 6750   | 7.18        |  |
|                             | lb | *51460       | *51460 | *46470        | *46470 | *32630        | 30780  | *23830        | 19090  |               |        |               |       |               |  |        | *15790 | 14880  | (23.6)      |  |
| -6.0 m (-20 ft)             | kg |              |        |               |        |               |        | *10680        | *10680 |               |        |               |       |               |  |        |        |        |             |  |
|                             | lb |              |        |               |        |               |        | *23550        | *23550 |               |        |               |       |               |  |        |        |        |             |  |

- Lifting capacity is based on ISO 10567.
- Lifting capacity of the Robex Series does not exceed 75% of the tipping load with the machine on firm, level ground or 87% of full hydraulic capacity.
- The load point is a hook located on the back of the bucket.
- (\*) indicates the load limited by hydraulic capacity.