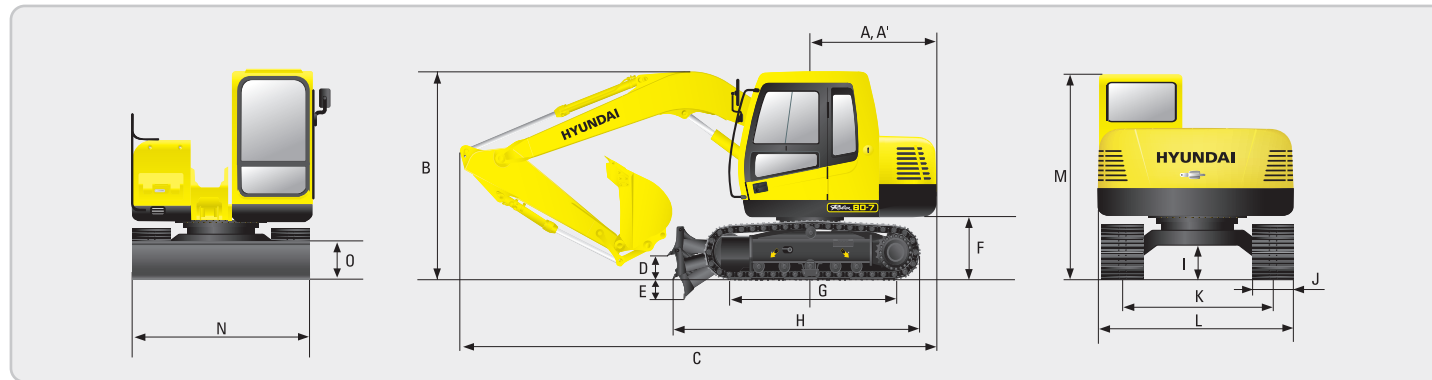
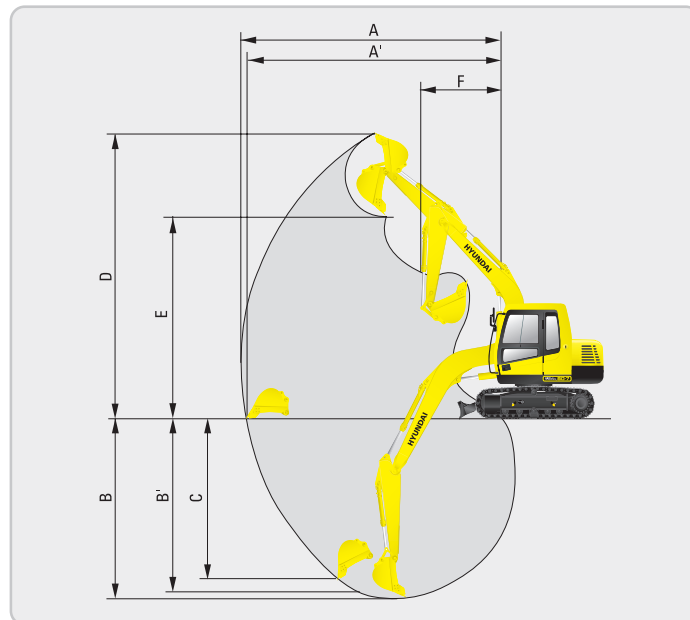


Dimensions



A	Tail swing radius	1,750 mm (5' 74")	F	Ground clearance of counterweight	760 mm (2' 49")	L	Overall width of upperstructure	2,260 mm (7' 41")
A'	Rear-end length	1,727 mm (5' 66")	G	Tumbler distance	2,130 mm (6' 99")	M	Overall height of cabin	2,640 mm (8' 66")
B	Overall height of boom	2,750 mm (9' 02")	H	Length of lower blade with dozer blade	3,340 mm (10' 96")	N	Overall width	2,200 mm (7' 22")
C	Overall length	6,080 mm (19' 94")	I	Min. ground clearance	360 mm (1' 81")	O	Height of blade	460 mm (1' 51")
D	Ground Clearance of blade up	400 mm (1' 31")	J	Track shoe width	450 mm (1' 48")			mm (ft · in)
E	Depth of blade down	280 mm (0' 92")	K	Track gauge	1,750 mm (5' 74")			

Working ranges



Boom length	3,700 mm (12' 2")	B'	Max. digging depth (8ft level)	3,810 mm (12' 6")
Arm length	1,670 mm (5' 6")	C	Max. vertical digging depth	3,200 mm (10' 6")
A	Max. digging reach	D	Max. digging height	7,260 mm (23' 10")
A'	Max. digging reach at ground	E	Max. dumping height	5,170 mm (16' 12")
B	Max. digging depth	F	Min. swing radius	1,750 mm (5' 9")

mm (ft · in)

Standard and optional equipment may vary. Contact your Hyundai dealer for more information. The machine shown may vary according to International standards. All US measurement are rounded off to nearest pound or inch.

Standard Equipment

- ISO standard cabin**
 - All-weather steel cab with all-around visibility
 - Safety glass windows
 - Rise-up type windshield wiper
 - Sliding fold-in front window
 - Sliding side window
 - Lockable door
 - Hot & cool box
 - Accessory box & Ashtray
- Door and cab locks, one key**
- AM/FM radio and cassette**
 - Radio remote switch
- Two outside rearview mirrors**
- Fully adjustable suspension seat with seat belt**
- Slidable joystick, pilot-operated**
- Console box tilting system(LH.)**
- Three front working lights**
- Electric horn**
- Batteries (2 x 12V x 80AH)**
- Battery master switch**
- Removable clean out screen for oil cooler**
- Automatic swing brake**
- Removable reservoir tank**
- Water separator, fuel line**
- Boom holding system**
- Arm holding system**
- Counterweight (540kg, 1190lb)**
- Mono boom (3.7m, 12' 2")**
- Arm (1.67m, 5' 6")**
- Track shoes (450m, 18")**
- Track rail guard**

Optional Equipment

- Air-conditioner (5000 kcal/hr, 20000 BTU/hr)**
- Fuel filler pump (35 ℓ /min, 9.3 US gpm)**
- Beacon lamp**
- Safety lock valve for boom cylinder**
- Single acting piping kit (breaker, etc)**
- Double acting piping kit (clamshell, etc)**
- Accumulator, work equipment lowering**
- Travel alarm**
- 12 volt power outlet (24V DC to 12V DC converter)**
- Lower frame under cover**
- Tool kit**
- Operator suit**
- Adjustable air suspension seat**
- Cabin roof-cover transparent**

PLEASE CONTACT
THE OFFICIAL DEALER OF HYUNDAI
«TYAZHPROMINVEST» (TPI, LLC)
105082 MOSCOW STREET B.POCHTOVAYA D.26/1 OFF.605
+7 (495) 782-73-79
+7 (800) 550-73-35
WWW.T-P-I.RU
HYUNDAI-MSK@T-P-I.RU

NEW 7 SERIES

Robex 80-7

Yanmar 4TNV98 **60HP / 2,100rpm**
Operating weight **7,800kg**
Bucket capacity, SAE **0.28m³**



Photo may include optional equipment.



HEAD OFFICE 1 CHEONHA - DONG, DONG-KU, ULSAN, KOREA
(Sales Office) TEL : (82)(52)230-7970, 7729 FAX: (82)(52)230-7979, 7720
U.S. Operation Hyundai Construction Equipment U.S.A., Inc.
955 ESTES AVENUE ELK GROVE VILLAGE IL., 60007
TEL : (1)847 - 437 - 3333 FAX : (1)847 - 437 - 3574
European Operation Hyundai Heavy Industries Europe N.V.
VOSSENDAAL 11, 2440 GEEL, BELGIUM
TEL : (32)14 - 562200 FAX : (32)14 - 583405 - 06



Hyundai *Robex* 80-7

Maximized Workability

Comfortable Operating Environment

Improve Fuel Efficiency

Advanced Hydraulic System

Greater Ability For Precise And Fine Operations By

Better Controllability

Enhanced Durability & Reliability



Powerful Low Emission Engine

Tier II

YANMAR 4TNV98

60HP / 2,100rpm

Yanmar 4TNV98 engine provides 25.2 kgf·m (247 lbf·ft) of maximum torque with 60 HP at 2,100rpm of rated power.

This means the R80-7 runs with the most power in its class, giving you more power to get the job done.



Photo may include optional equipment.

Technology in Cab Design

Wide, Comfortable Operating Space

All the controls are designed and positioned according to the latest ergonomic research. Reinforced pillars have also been added for greater cab rigidity.



Photo may include optional equipment.

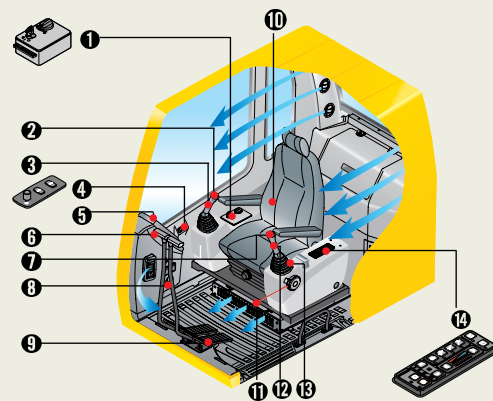
Reliability & Serviceability



Convenient and Comfortable Space

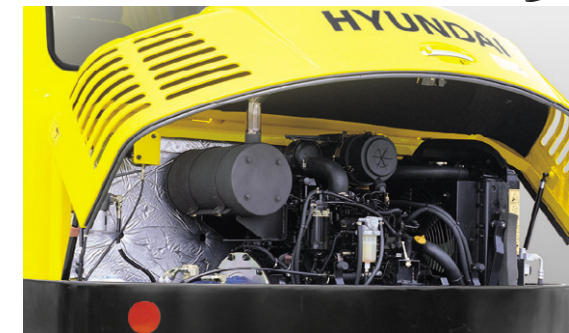
The best working conditions in a pleasant environment.

- 1 Centralized control panel
- 2 Horn button
- 3 Option button
- 4 Remote radio control
- 5 Travel lever
- 6 Cluster
- 7 One touch decel button
- 8 Hour meter
- 9 Travel pedal
- 10 Fully adjustable suspension seat
- 11 Safety lever
- 12 Option button
- 13 Joystick control lever
- 14 Air conditioner and heater controller



- 1 Wide, Comfortable Operating Space
- 2 Steel Cover Sunroof
- 3 Dial Type Engine Speed Switch and Key Switch

Easy Maintenance and Serviceability



Easy to Maintain Engine Components

The R80-7 was built with accessibility in mind. All doors, covers and hoods were built for complete open access. You'll find that the R80-7 offers plenty of space to complete your regular maintenance and service hassle-free.

Centralized Tool Box & Fuse Box



Battery Master Switch



The battery master switch enables checking and maintaining the battery while minimizing the discharge of battery.



Wide Cab with Excellent Visibility

The cab is roomy and ergonomically designed with low noise level and good visibility. A full view front window and large rear and side windows provide excellent visibility in all directions.



Highly Sensitive Joystick and Easy Entrance

New joystick grips for precise control have been equipped with double switches. (Left: Power boost / One touch deceleration, Right: Horn/Optional)



Storage box and Cup Holder

An additional storage box and cup holder are located behind operator's seat, and it keeps food and beverages cool or hot.



Rear Emergency Exit Window

Rear Exit Window is designed with easy exit for operator's safety.



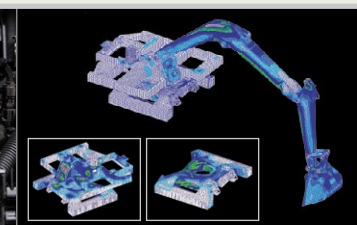
Easy Change Air Cleaner

The R80-7 is fitted with durable plastic air cleaner for easy maintenance and quick service.



High Capacity Water Separator & Fuel Filter

To protect the injection system, high capacity fuel filter and transparent water separator are applied.



FEM (Finite Element Method)

Durability of structure is proven through FEM (Finite Element Method) analysis and long term durability test.



Powerful and Precise Swing Control

Improved shock absorbing characteristics makes stopping a precise and smooth action.

Engine

Model		Yanmar 4TNV94L	
Type		Water cooled, 4 cycle Diesel 4 cylinders in line, direct injection, low emission	
Rated flywheel horse power	SAE	J1995 (gross)	60 HP (44 kW) at 2100 rpm
		J1349 (net)	58 HP (43 kW) at 2100 rpm
	DIN	6271/1 (gross)	60.4 PS (44 kW) at 2100 rpm
		6271/1 (net)	59 PS (43 kW) at 2100 rpm
Max. torque		25.2 kgf·m (247 lbf·ft) at 1000 rpm	
Bore x stroke		98 mm (3.86") x 110 mm (4.33")	
Displacement		3358 cc (202 cu in)	
Battery		2 x 12 V x 68 AH	
Starter motor		24 V-3.5 kW	
Alternator		24V-40 A	

Hydraulic System

Main pump	
Type	Two Variable displacement piston pumps
Rated flow	2 x 75.6 l / pm
Sub-pump for pilot circuit	Gear pump
Hydraulic motors	
Travel	Two speed axial piston motor with counter balance valve and parking brake
Swing	Axial piston motor with automatic brake
Relief valve setting	
Implement circuits	280 kgf/cm ² (3130 psi)
Travel circuit	280 kgf/cm ² (3130 psi)
Swing circuit	170 kgf/cm ² (3060 psi)
Pilot circuit	35 kgf/cm ² (430 psi)
Service valve	Installed
Hydraulic cylinders	
Boom	: 1 - 110 x 65 x 715 mm (4.3" x 2.6" x 28.1")
Arm	: 1 - 90 x 55 x 850 mm (3.5" x 2.2" x 33.5")
Bucket	: 1 - 80 x 50 x 660 mm (3.1" x 2.0" x 26.0")
Boom swing	: 1 - 95 x 50 x 527 mm (3.7" x 2.0" x 20.7")
Dozer blade	: 1 - 110 x 50 x 191 mm (4.3" x 2.0" x 7.5")

Drives & Brakes

Drive method	Full hydrostatic type
Drive motor	Axial piston motor, in-shoe design
Reduction system	Planetary reduction gear
Max. drawbar pull	6,400 kgf (11,700 lbf)
Max. travel speed(high) / (low)	4.8 km/hr (2.5 mph) / 3.2 km/hr (1.4 mph)
Gradeability	35° (70%)
Parking brake	Multi-wet disc

Swing System

Swing motor	Axial piston motor
Swing reduction	Planetary gear reduction
Swing circuit lubrication	Grease - bathed
Swing brake	Multi wet disc
Swing speed	12.0 rpm

Control

Pilot pressure-operated joysticks and pedal with detachable lever provide almost effortless and fatigueless operation.

Pilot control	Two joysticks with one safety lever (LH): Swing and arm, (RH): Boom and bucket(ISO)
Traveling and steering	Two levers with pedals
Engine throttle	Mechanical, cable type
External Lights	Two lights mounted on the boom one below the cab

Coolant & Lubricant Capacity

(refilling)	liter	US gal	UK gal
Fuel tank	135.0	35.7	29.7
Engine coolant (6.57+4.2)	10.8	2.9	2.4
Engine oil	12.0	3.2	2.6
Swing device-gear oil	1.5	0.4	0.3
Final drive(each)	1.2	0.3	0.2
Hydraulic tank	75.0	19.8	16.5
Hydraulic system	130.0	34.3	28.6

Undercarriage

X-leg type center frame is integrally welded with reinforced box-section track frames. The undercarriage includes lubricate rollers, track adjusters with shock absorbing springs and sprockets, and track chain with triple grouser shoes.

Center frame	X - leg type
Track frame	Pentagonal box type
No. of shoes on each side	38
No. of carrier roller on each side	1
No. of track roller on each side	5

Operating Weight (approximate)

Operating weight, including 3,700 mm (12' 2") boom, 1,670 mm (5' 6") arm, SAE heaped 0.28 m³ (0.37 yd³) backhoe bucket, lubricant, coolant, full fuel tank, hydraulic tank and the standard equipment.

Major component weight		
Upper structure	3,060 kg (6,610 lb)	
Counterweight	540 kg (1190 lb)	
Mono boom(with arm cylinder)	610 kg (1340 lb)	

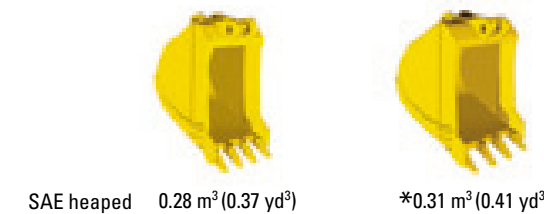
Operating Weight

Shoes(Triple grouser) mm (in)	Operating weight kg (lb)	Ground pressure kgf/cm ² (psi)
450 (18")	7,800 (17,200)	0.33(4.69)

Buckets

Capacity		Width		Weight	3.70m (12' 2") Boom	
SAE heaped	CECE heaped	Without side cutters	With side cutters		1.67m (5' 6") arm	
*0.28 m ³ (0.37 yd ³)	0.25 m ³ (0.33 yd ³)	665 mm(26.2")	760 mm(29.9")	230 kg(510 lb)	■	
0.31 m ³ (0.41 yd ³)	0.27 m ³ (0.35 yd ³)	720 mm(28.3")	815 mm(32.1")	245 kg(540 lb)	■	

*: Standard backhoe bucket ■ Applicable for materials with density 1600 kg/m³ (2,700 lb/yd³) or less



SAE heaped 0.28 m³ (0.37 yd³)

*0.31 m³ (0.41 yd³)

Arm	Length	* 1,670 mm (5' 6")	
		Weight	310 kg (680 lb)
Bucket digging force	SAE	44.1 kN	4500 kgf
	ISO	51.0 kN	5200 kgf
Arm crowd force	SAE	38.2 kN	3900 kgf
	ISO	39.2 kN	4000 kgf

* : Standard Arm(Arm weight including cylinder and linkage)

Lifting Capacities R80-7

• Boom : 3.7m (12'2") • Arm : 1.67m (5' 6") • Bucket : 0.28 m³ (0.37 yd³) SAE heaped • Shoe : 450mm(18") triple grouser the dozer blade up with 540 kg (1,190 lb) Counterweight

Load point height m(ft)		Load radius						At max. reach		
		1.5m(5ft)		3.0m(10ft)		4.5m(15ft)		Capacity		Reach m (ft)
		Rating over-front	Rating over-side or 360 degree	Rating over-front	Rating over-side or 360 degree	Rating over-front	Rating over-side or 360 degree	Capacity	Capacity	
5.0m (15ft)	kg lb			*1810 *3990	*1810 *3990			1160 2560	1050 2310	5.06 (16.6)
4.0m (15ft)	kg lb	*3900 *8600	*3900 *8600	*2380 *5250	*2380 *5250	1390 3060	1250 2760	880 1940	790 1740	5.75 (18.9)
3.0m (10ft)	kg lb			2540 5600	2230 4920	1290 2840	1160 2560	790 1740	710 1570	5.95 (19.5)
Ground Line	kg lb			2340 5160	2040 4500	1210 2670	1080 2380	820 1810	740 1630	5.70 (18.7)
2.0m (5ft)	kg lb	*4800 *10580	*4800 *10580	2300 5070	2000 4410	1190 2620	1060 2340	1050 2310	950 2090	4.93 (16.2)
1.0m (5ft)	kg lb	*3960 *8730	*3960 *8730	*2340 *5160	2100 4630					

• Boom : 3.7m (12'2") • Arm : 1.67m (5' 6") • Bucket : 0.28 m³ (0.37 yd³) SAE heaped • Shoe : 450mm(18") triple grouser the dozer blade down with 540 kg (1,190 lb) Counterweight

Load point height m(ft)		Load radius						At max. reach		
		1.5m(5ft)		3.0m(10ft)		4.5m(15ft)		Capacity		Reach m (ft)
		Rating over-front	Rating over-side or 360 degree	Rating over-front	Rating over-side or 360 degree	Rating over-front	Rating over-side or 360 degree	Capacity	Capacity	
4.5m (15ft)	kg lb			*1810 *3990	*1810 *3990			*1690 *3730	1120 2470	5.06 (16.6)
3.0m (10ft)	kg lb	*3900 *8600	*3900 *8600	*2380 *5250	*2380 *5250	*1930 *4250	1330 2930	*1710 *3770	850 1870	5.75 (18.9)
1.5m (5ft)	kg lb			*3330 *7340	2400 5290	*2230 *4920	1240 2730	*1760 *3880	760 1680	5.95 (19.5)
Ground Line	kg lb			*3800 *8380	2200 4850	*2420 *5340	1160 2560	*1810 *3990	790 1740	5.70 (18.7)
-1.5m (5ft)	kg lb	*4800 *10580	*4800 *10580	*3560 *7850	2160 4760	*2220 *4890	1140 2510	*1790 *3950	1010 2230	4.93 (16.2)
-3.0m (10ft)	kg lb	*3960 *8730	*3960 *8730	*2340 *5160	2260 4980					

NOTES

1. Lifting capacity is based on SAE J1097, ISO 10567.

2. Lifting capacity of the Robex Series does not exceed 75% of tipping load with the machine on firm, level ground or 87% of full hydraulic capacity.

3. The load point is a hook (standard equipment) located on the back of the bucket.

4. (*) indicates load limited by hydraulic capacity.