

ENGINE	HX340SL	HX340HD
Hyundai HM8.3 Engine	●	●
HYDRAULIC SYSTEM	HX340SL	HX340HD
Intelligent Power Control (IPC)		
3-power mode, 2-work mode, user mode	●	●
Variable power control	●	●
Pump flow control	●	●
Attachment mode flow control	○	○
Engine auto idle	●	●
Engine auto shutdown control	○	○
CAB & INTERIOR	HX340SL	HX340HD
ISO Standard Cabin		
Rise-up type windshield wiper	●	●
Radio / USB player	●	●
Handsfree mobile phone system with USB	●	●
12 V power outlet (24 V DC to 12 V DC converter)	●	●
Electric horn	●	●
All-weather steel cab with 360° visibility	●	●
Safety glass windows	●	●
Sliding fold-in front window	●	●
Sliding side window (LH)	●	●
Lockable door	●	●
Hot & Cool box	●	●
Storage compartment & Ashtray	●	●
Sun visor	●	●
Door and cab locks, one key	●	●
Pilot-operated slidable joystick	●	●
Cabin lights	○	○
Cabin front window rain guard	○	○
Cabin roof-steel cover	●	●
Automatic Climate Control		
Air conditioner & Heater	●	●
Defroster	●	●
Starting aid (air grid heater) for cold weather	●	●
Centralized Monitoring		
8" LCD display - Normal type	●	●
8" LCD display - Premium type	○	○
Engine speed or trip meter / Accel	●	●
Engine coolant temperature gauge	●	●
Max power	●	●
Low speed / High speed	●	●
Auto idle	●	●
Overload warning with alarm	○	○
Check engine	●	●
Air cleaner clogging	●	●
Indicators	●	●
ECO gauges	●	●
Fuel level gauge	●	●
Hyd. oil temperature gauge	●	●
Warnings	●	●
Communication error	●	●
Low battery	●	●
Clock	●	●
Seat		
Mechanical suspension without heater	●	●
Mechanical suspension with heater	○	○
Adjustable air suspension without heater	○	-
Adjustable air suspension with heater	○	-
Cabin FOPS		
FOPS (Falling object protective structures) - ISO 10262 Level 2	○	○
FOG (Falling object guard) ISO 10262 Level 2	Front & Tops guard	○
	Top guard	○
Cabin ROPS		
ROPS (Roll over protective structures) - ISO 12117-2	○	○

SAFETY	HX340SL	HX340HD
Battery master switch	●	●
Rearview camera	○	○
AAVM (Advanced around view monitoring)	○	○
Six front working lights (4 boom mounted, 2 front frame mounted)	●	●
Travel alarm	●	●
Rear work lamp	○	○
Beacon lamp	○	○
Automatic swing brake	●	●
Boom holding system	●	●
Arm holding system	●	●
Safety lock valve for boom cylinder with overload warning device	○	○
Safety lock valve for arm cylinder	○	○
Swing Lock system	○	-
Two outside rearview mirror	●	●

ATTACHMENT	HX340SL	HX340HD
Booms		
6.45 m, 21' 2" Mono	●	-
6.45 m, 21' 2" Mono (HD)	-	●
6.15 m, 20' 2" Mono	○	○
Arms		
2.2 m, 7' 3"	○	○
2.5 m, 8' 2"	○	○
3.2 m, 10' 6"	●	-
3.2 m, 10' 6" (HD)	-	●
4.05 m, 13' 3"	○	-

OTHERS	HX340SL	HX340HD
Removable clean-out dust net for cooler	●	●
Removable washer tank	●	●
Fuel pre-filter	●	●
Fuel warmer	○	○
Self-diagnostics system	●	●
Hi MATE (Remote management system)	○	○
Batteries (2 × 12 V × 150 AH)	●	●
Fuel filler pump (50 lpm)	○	○
Single-acting piping kit (Breaker, etc.)	○	○
Double-acting piping kit (Clamshell, etc.)	○	○
Rotating piping kit	○	○
Quick coupler piping	○	○
Quick coupler	○	○
Accumulator for lowering work equipment	●	●
Pattern change valve (4 patterns)	○	○
Fine swing control system	○	-
General type guardrail	○	○
Tool kit	○	○

UNDERCARRIAGE	HX340SL	HX340HD
Lower frame under cover (Additional)	○	-
Lower frame under cover (Normal)	●	●
Track Shoes		
Triple grousers shoes (600 mm, 24")	●	●
Triple grousers shoe (700 mm, 28")	○	○
Triple grousers shoe (800 mm, 32")	○	○

● : Standard  
○ : Option  
- : Not available

\* Standard and optional equipment may vary. Contact your Hyundai dealer for more information. The machine may vary according to international standards.  
\* The photos may include attachments and optional equipment that are not available in your area.  
\* Materials and specifications are subject to change without advance notice.  
\* All imperial measurements rounded off to the nearest pound or inch.



# HX340SL HX340HD

Gross Power  
194 kW (260 HP) at 2,200 rpm

Net Power  
190 kW (255 HP) at 2,200 rpm

Bucket Capacity  
1.44 m<sup>3</sup> (1.88 yd<sup>3</sup>)

Operating Weight  
33,000 kg / 72,750 lb

# WHAT'S NEWEST AND BEST

# HX340SL HX340HD



## THE BEST PRODUCTIVITY AND FUEL EFFICIENCY

- New Variable Power Control
- Fuel Rate Information **Option**
- Attachment Flow Control **Option**
- IPC (Intelligent Power Control) **Upgrade**
- ECO Gauge
- New Cooling System with Increased Air Flow
- Enlarged Air Inlet with Grill Cover



## ULTIMATE DURABILITY

- Durable Cooling Module
- Reinforced Pin, Bush, and Polymer Shim
- Reinforced Durability of Upper and Lower Structure and Attachments
- Wear Resistant Cover Plate
- Hi-grade (High-pressure) Hoses



## EASY CONTROL AND COMFORTABLE OPERATION

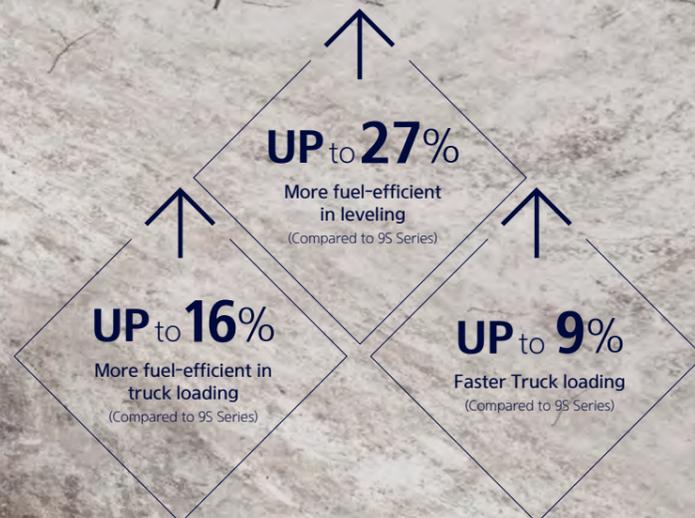
- Intelligent and Wide Cluster
- New Front Side Air-conditioning System
- Proportional Auxiliary Hydraulic System **Option**
- Quick Coupler Button **Option**
- New Audio System



## THE ULTIMATE SAFE ENVIRONMENT

- AAVM (Advanced Around View Monitoring) Camera System **Option**
- Hi MATE (Remote Management System) **Option**
- Cab Suspension Mount
- Swing Lock System **Option**
- Fine Swing Control **Option**
- Swing Lock System(HX340SL only) **Option**
- Fine Swing Control(HX340SL only) **Option**

\*Photo may include optional equipment.



\*Photo may include optional equipment.

### New Variable Power Control

The HX Series minimizes equipment input and output control signals to improve fuel efficiency. Its three-stage power mode ensures the highest performance in any operating environment.



\* **P(power) mode** : Maximizes speed and power of the equipment for heavy load work.



\* **S(standard) mode** : Optimizes performance and fuel efficiency of the equipment for general load work.



\* **E(economy) mode** : Improves the control system for light load work.

# THE BEST PRODUCTIVITY AND FUEL EFFICIENCY

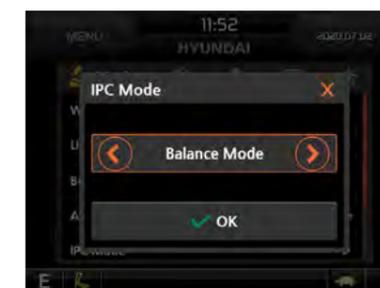
## Fuel Efficient System, Allows Great Performance

The HX Series has an eco-friendly, high-performance engine which ensures both excellent fuel efficiency and high power. With outstanding operating performance proven by rigorous tests at various work sites, it will satisfy any customer's needs.

15% increased greater screen from 7 to 8 inch is applied in HX Series. More functions and better resolution are available with adding premium options.



Fuel Rate Information **Option**



IPC (Intelligent Power Control) **Upgrade**

HX Series adopts the upgraded IPC system. It is able to optimize pump flow rate and power at the various working condition through the individual pump control. Furthermore, optimized design of MCV and pipe line minimizes energy loss such as conflux and throttle loss.



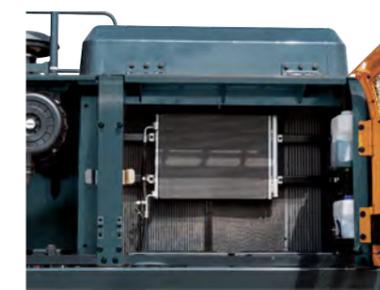
Attachment Flow Control **Option**

The HX Series improves pump flow rate by independent control of two pumps. It optimizes attachments for effective flow rate setting depending on attachments (ten breaker types and ten crusher types), enabling various operations matching the site environments.



### Eco Gauge

Eco gauge enables economic operation of machines. The gauge level and color displays engine torque and fuel efficiency level. On top of that, the status of fuel consumption such as average rate and the total amount of fuel consumed is displayed. Hourly and daily based fuel consumption can be checked in the detailed menu as well.



### New Cooling System with Increased Air Flow

With the cooling module improving air inflow, the HX Series provides excellent cooling performance by increasing heat dissipation.



### Enlarged Air Inlet with Grill Cover

Enlarged vent hole of the air inlet side cover and fine net grill to prevent penetration of foreign materials further improve durability.

# ULTIMATE DURABILITY

## New Exterior Design for Robustness and Safety

The true value of the HX Series lies in its durability. The robust frame structure and the attachments show the real value of the HX Series in tough working environments and promise higher productivity.



### Durable Cooling Module

The HX Series has a durable cooling module that passed stringent tests, demonstrating the highest productivity in tough working environments.



Chrome Coated Pins

### Reinforced Pin, Bush, and Polymer Shim

The HX Series improves lubricity of connecting parts between the equipment and attachments. Gaps with attachments are minimized by wear-resistant long-life pins, bushes, and polymer shims, supporting the highest performance with invariable durability.

### Wear Resistant Cover Plate

A wear-resistant cover plate is installed at the end of the arm to minimize abrasion on the connector between the arm and the bucket. Vibration reduction of buckets enables more stable operation even in high-load work.



### Reinforced Durability of Upper and Lower Structure and Attachments

The upper and lower structure and attachments of the HX Series have higher durability than demanded on the site, as proven through numerous tests including road tests and virtual simulation. The wear resistance of the bucket has been improved by use of new material.



\*Photo may include optional equipment

### Hi-grade (High-pressure) Hoses

The HX Series uses high-pressure hoses with improved heat and pressure resistance, greatly increasing the durability of the equipment.

# EASY CONTROL AND COMFORTABLE OPERATION

## Improved Instrument Panel for Easier Monitoring

Many electronic functions are concentrated in the most convenient spot for operators to improve work efficiency. The highly-advanced infotainment system, a product of HCE's intensive information technology development, enables both productivity and comfort while working! The HX Series is designed with the operator in mind.



310 mm  
(9S Series)

340 mm  
(HX Series)

Cabin space for drivers increased by  
**13%**  
(Compared to 9S Series)



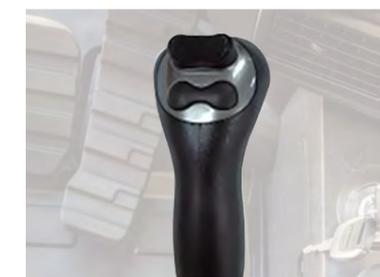
### Intelligent and Wide Cluster

The 8-inch interactive touchscreen display of the HX Series is 15% larger than that of the previous model. The centralized switches on the display allow the operator to check the temperature outside the cab.



### New Front Side Air-conditioning System

The ventilation is designed for both warm and cool air reaching to operators' faces. It could help operators create more neat and enjoyable atmosphere through indoor air circulation.



### Proportional Auxiliary Hydraulic System **Option**

- Proportional control switch for better speed control
- Enlarge the operation convenience



### Front Side Air-Vent

### Quick Coupler Button **Option**

Easy attachment replacement of equipment is available with quick coupler button.

### New Audio System

The radio player with a USB-based MP3 player, an integrated Bluetooth hands-free feature, and a built-in microphone allow for phone calls while at work and in transit. The radio player is conveniently located on the right side of the operator to allow for improved access.

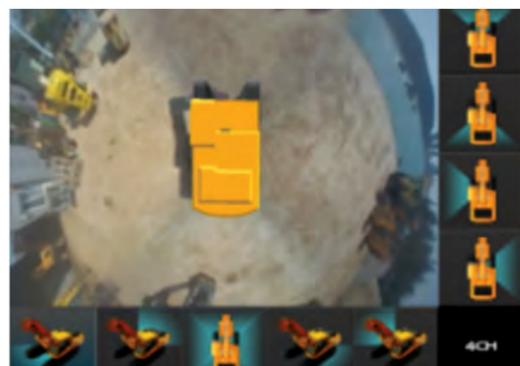


\*Photo may include optional equipment.

# THE ULTIMATE SAFE ENVIRONMENT

## New Cabin for More Comfort

Low noise, low vibration, and ergonomic design make the cabin space more comfortable and pleasant! With focus on safety and convenience of operators, the HX Series allows rapid and safe equipment inspection anytime and anywhere, providing an optimal environment for operators to work.



### AAVM (Advanced Around View Monitoring) Camera System **Option**

The HX Series has a state-of-the-art AAVM video camera system to secure field of vision for operators in all directions, thereby preventing accidents. Operators can easily check the workplace in the front and rear and to the right and left.

\*AVM (Around View Monitoring): Secure field of vision in all directions by nine views including 3D bird's eye view and 2D/4CH view.

\*IMOD (Intelligent Moving Object Detection): Inform when people or dangerous objects are detected within the range of operation (Recognition distance: 5m).

## HiMATE

### It's Convenient, Easy and Valuable

Hi MATE Hyundai's newly developed remote management system, utilizes GPS-satellite technology to provide customers with the highest level of service and product support available. Hi MATE enables users to remotely evaluate machine performance, access diagnostic information, and verify machine locations at the touch of a button.

### What is benefits



#### Increase Productivity

It helps you operate machines in efficient. You can check the difference between total engine hours and actual working hours. See how productive your machines are and plan any required cost saving solutions. Hi MATE offers working information such as working / idling hours, fuel consumption and rate.



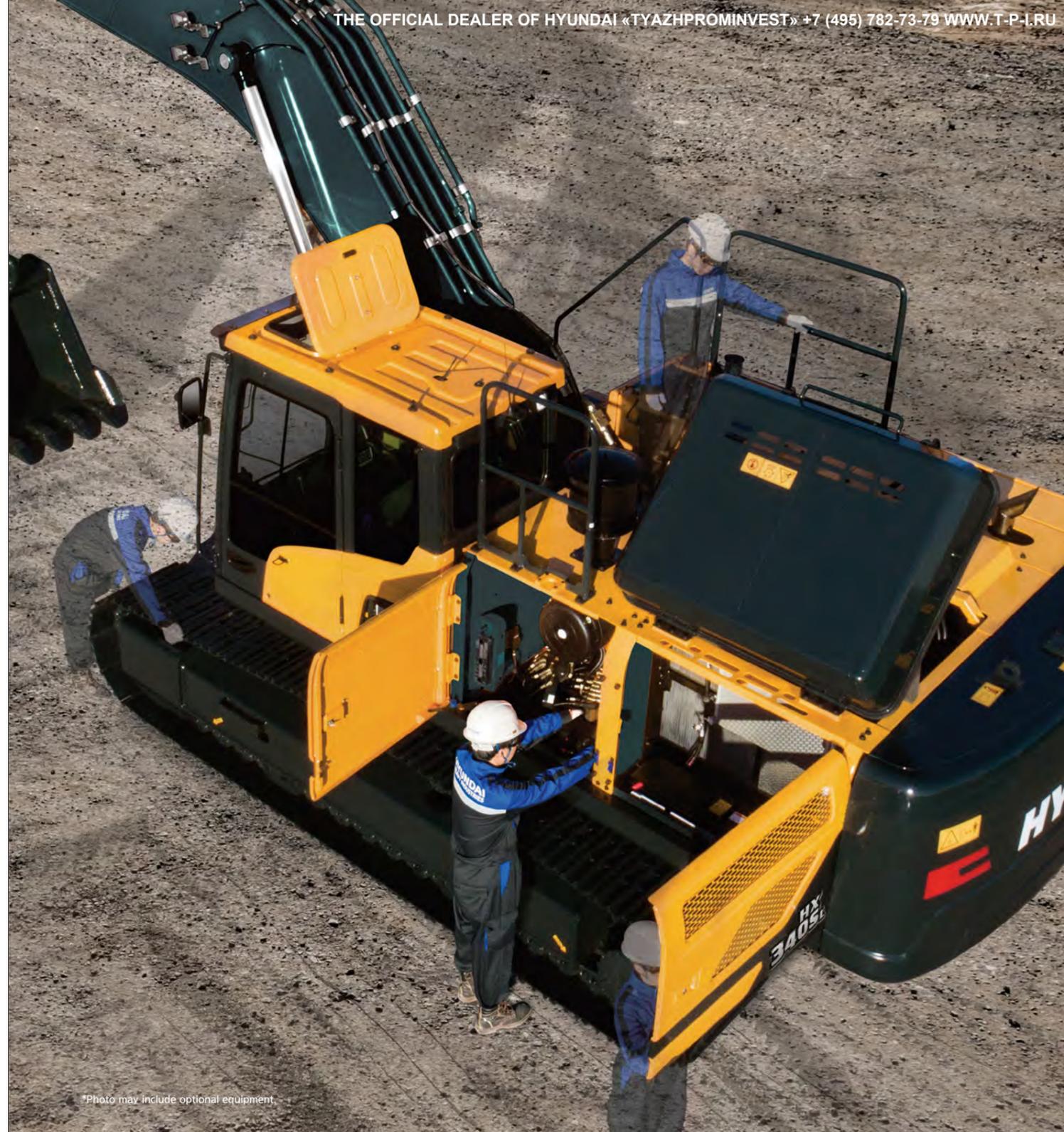
#### Convenient and Easy Monitoring

There is nothing much to do to monitor your machines. Just log on to the Hi MATE website or mobile application. Hi MATE allows you to watch your machines whenever and wherever you are.



#### Security

Protect your machines from theft or unauthorized usage with Hi MATE. If the machine moves out of the Geo-fence boundary, you will get alerts.



\*Photo may include optional equipment.

### Cab Suspension Mount

With a low-vibration design by the coil spring and damper inside the mount, the cab suspension mount of the HX Series reduces noise inside the cabin and improves durability, providing a comfortable operation space that lessens operators' fatigue.

### Swing Lock System(HX340SL only) **Option**

Swing lock system is provided to maintain stability when swing movement needs to be limited, improving operating speed and productivity.

### Fine Swing Control(HX340SL only) **Option**

Fine swing control is available for customer's convenience when users want to control fine swing.

# SPECIFICATIONS

## ENGINE

Maker / Model	HYUNDAI / HM8.3
Type	6 cylinder, water cooled, 4-cycle, turbocharged, charge air cooled, direct injection, mechanical controlled diesel engine.
Gross Power	194 kW (260 HP) at 2,200 rpm
Net Power	190 kW (255 HP) at 2,200 rpm
Max. Power	195 kW (261 hp) at 2,000 rpm
Peak Torque	1,150 N · m (848 lb.ft) at 1,300 rpm
Displacement	8.3 l (506 cu in)

## HYDRAULIC SYSTEM

### MAIN PUMP

Type	Variable displacement tandem axis piston pumps
Max. flow	2×306 lpm
Sub-pump for pilot circuit	Gear pump

Cross-sensing and fuel saving pump system.

### HYDRAULIC MOTORS

Travel	Two speed axial pistons motor with brake valve and parking brake
Swing	Axial piston motor with automatic brake

### RELIEF VALVE SETTING

Implement circuits	350 kgf/cm <sup>2</sup> (4,980 psi)
Travel	350 kgf/cm <sup>2</sup> (4,980 psi)
Power boost (boom, arm, bucket)	380 kgf/cm <sup>2</sup> (5,400 psi)
Swing circuit	300 kgf/cm <sup>2</sup> (4,270 psi)
Pilot circuit	40 kgf/cm <sup>2</sup> (570 psi)
Service valve	Installed

### HYDRAULIC CYLINDERS

No. of cylinder bore X stroke	Boom	2-∅150×1,480 mm
	Arm	1-∅160×1,685 mm 1-∅170×1,685 mm (6.15, 6.45 HD Only)
	Bucket	1-∅140×1,285 mm 1-∅145×1,285 mm (2.20 Only)

### DRIVES & BRAKES

Drive method	Fully hydrostatic type
Drive motor	Axial piston motor, in-shoe design
Reduction system	Planetary reduction gear
Max. drawbar pull	29,500 kgf (65,030 lbf)
Max. travel speed (high / low)	6.4 km/hr (3.98 mph) / 3.6 km/hr (2.11 mph)
Gradeability	35° (70%)
Parking brake	Multi wet disc

### CONTROL

Pilot pressure operated joysticks and pedals with detachable lever provide almost effortless and fatigueless operation.

Pilot control	Two joysticks with one safety lever (LH): Swing and arm, (RH): Boom and bucket (ISO)
Traveling and steering	Two levers with pedals
Engine throttle	Electric, dial type

## SWING SYSTEM

Swing motor	Fixed displacement axial piston motor
Swing reduction	Planetary gear reduction
Swing bearing lubrication	Grease-bathed
Swing brake	Multi wet disc
Swing speed	11.2 rpm

## COOLANT & LUBRICANT CAPACITY

	liter	US gal	UK gal
Fuel tank	600	158.5	132
Engine coolant	25	6.6	5.5
Engine oil	26.5	7.0	5.8
Swing device	11	2.91	2.42
Final drive (each)	8.0 (7.8)	2.06	1.72
Hydraulic system (including tank)	414	109.4	91.06
Hydraulic tank	210	55.5	46.2

## UNDERCARRIAGE

The X-leg type center frame is integrally welded with reinforced box-section track frames. The undercarriage includes lubricated rollers, idlers, track adjusters with shock absorbing springs and sprockets, and a track chain with double or triple grouser shoes.

Center frame	X - leg type
Track frame	Pentagonal box type
No. of shoes on each side	48 EA
No. of carrier roller on each side	2 EA
No. of track roller on each side	9 EA
No. of rail guard on each side	2 EA

## OPERATING WEIGHT (APPROXIMATE)

Operating weight, including 6,450 mm (21' 2") boom, 3,200 mm (10' 6") arm, SAE heaped 1.44 m<sup>3</sup> (1.88 yd<sup>3</sup>) bucket, lubricant, coolant, full fuel tank, full hydraulic tank, and all standard equipments.

### OPERATING WEIGHT

Shoes		Operating weight	Ground pressure
Type	Width mm (in)	kg (lb)	kgf/cm <sup>2</sup> (psi)
Triple grouser	600 (24")	HX340SL / HX340HD 33,000 (72,750)	0.64 (9.03)
	700 (28")	HX340SL / HX340HD 33,570 (74,010)	0.55 (7.88)
	800 (32")	HX340SL / HX340HD 33,950 (74,850)	0.49 (6.97)

## AIR CONDITIONING SYSTEM

The air condition system for the machine contains the fluorinated greenhouse gas with global warming potential of R134a. (Global warming potential : 1,430)  
The system hold 0.8 kg refrigerant consisting of a CO<sub>2</sub> equivalent 1.14 kg metric tonne. For more information, please refer to the manual.

# BUCKET SELECTION GUIDE & DIGGING FORCE

## BUCKETS

All buckets are welded with high-strength steel.

Capacity m <sup>3</sup> (yd <sup>3</sup> )	Width mm (in)	Weight kg (lb)	Tooth EA	Recommendation mm (ft-in)							
				6,450* (21' 2") Boom		6,150 (HD) (20' 2") Boom		6,450 (HD) (21' 2") Boom			
SAE heaped	CECE heaped			2,500 (8' 2") Arm	3,200 (10' 6") Arm	4,050* (13' 3") Arm	2,200 (7' 3") Arm	2,500 (8' 2") Arm	2,200 (7' 3") Arm	2,500 (8' 2") Arm	3,200 (10' 6") Arm
1.44 (1.88)	1.25 (1.63)	1,380 (54.3")	5	●	●	■	●	●	●	●	●
1.74 (2.28)	1.50 (1.96)	1,620 (63.8")	6	●	■	▲	●	●	●	●	■
2.10 (2.75)	1.80 (2.35)	1,910 (75.2")	6	■	▲	x	■	■	■	■	▲
◆1.44 (1.88)*	1.25 (1.63)*	1,470 (57.9")	5	●	●	■	●	●	●	●	●
◆1.90 (2.49)	1.65 (2.16)	1,600 (63.0")	5	■	▲	x	●	●	■	■	▲
◆2.30 (3.01)	2.02 (2.64)	1,750 (68.9")	5	▲	x	x	■	▲	▲	▲	x
◎1.44 (1.88)	1.25 (1.63)	1,470 (57.9")	5	●	●	x	●	●	●	●	●
◎1.60 (2.09)	1.39 (1.82)	1,585 (62.4")	5	●	■	x	●	●	●	●	■
◎1.73 (2.26)	1.50 (1.96)	1,710 (67.3")	5	●	■	x	●	●	●	●	■
◎1.83 (2.39)	1.59 (2.08)	1,765 (69.5")	5	■	▲	x	●	●	■	■	▲
◎1.90 (2.49)	1.65 (2.16)	1,600 (63.0")	5	■	▲	x	●	■	■	■	▲

◆ Heavy duty bucket

◎ Rock-Heavy duty bucket

- : Applicable for materials with density of 2,100 kgf/m<sup>3</sup> (3,500 lbf / yd<sup>3</sup>) or less
- : Applicable for materials with density of 1,800 kgf/m<sup>3</sup> (3,000 lbf / yd<sup>3</sup>) or less
- : Applicable for materials with density of 1,500 kgf/m<sup>3</sup> (2,500 lbf / yd<sup>3</sup>) or less
- ▲ : Applicable for materials with density of 1,200 kgf/m<sup>3</sup> (2,000 lbf / yd<sup>3</sup>) or less
- x : Not Recommended

\* Options not available on HX340HD

## ATTACHMENT

Booms and arms are of all-welded, low-stress, full-box section design. 6,150 mm (20' 2"), 6,450 mm (21' 2") boom and 2,200 mm (7' 3"), 2,500 mm (8' 2"), 3,200 mm (10' 6"), 4,050 mm (13' 3") arms are available, Hyundai Bucket are all-welded, high-strength steel implements.

## DIGGING FORCE

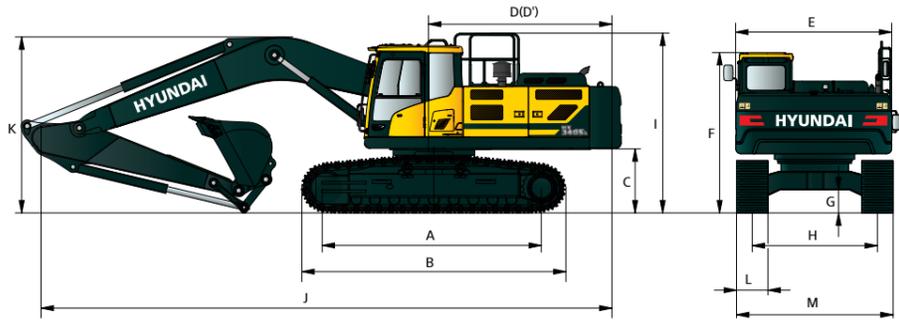
Boom	Length	mm (ft-in)	6,450 (21' 2")			6,150 (20' 2") (HD), 6,450 (21' 2") (HD)			Remark
			Weight	kg (lb)					
Arm	Length	mm (ft-in)	2,500 (8' 2")	3,200 (10' 6")	4,050 (13' 3")	2,200 (7' 3")	2,500 (8' 2")	3,200 (10' 6")	[ ] : Power Boost
			Weight	kg (lb)	1,650 (3,640)	1,770 (3,900)	1,870 (4,120)	1,560 (3,440)	
Bucket digging force	SAE	kN	187.3 [203.4]	188.3 [204.5]	189.3 [205.5]	200.1 [217.2]	187.3 [203.4]	188.3 [204.5]	
		kgf	19,100 [20,740]	19,200 [20,850]	19,300 [20,950]	20,400 [22,150]	19,100 [20,740]	19,200 [20,850]	
		lbf	42,110 [45,720]	42,330 [45,970]	42,550 [46,190]	44,970 [48,830]	42,110 [45,720]	42,330 [45,970]	
	ISO	kN	215.7 [234.3]	216.7 [235.3]	217.7 [236.3]	230.5 [250.2]	215.7 [234.3]	216.7 [235.3]	
		kgf	22,000 [23,890]	22,100 [23,990]	22,200 [24,100]	23,500 [25,510]	22,000 [23,890]	22,100 [23,990]	
		lbf	48,500 [52,670]	48,720 [52,890]	48,940 [53,130]	51,810 [56,240]	48,500 [52,670]	48,720 [52,890]	
Arm crowd force	SAE	kN	175.5 [190.5]	140.2 [152.3]	118.7 [128.9]	220.7 [239.6]	198.1 [215.1]	140.2 [152.2]	
		kgf	17,900 [19,430]	14,300 [15,530]	12,100 [13,140]	22,500 [24,430]	20,200 [21,930]	14,300 [15,530]	
		lbf	39,460 [42,840]	31,530 [34,240]	26,680 [28,970]	49,600 [53,860]	44,530 [48,350]	31,530 [34,240]	
	ISO	kN	184.4 [200.2]	145.1 [157.6]	123.6 [134.2]	231.4 [251.3]	207.9 [225.8]	145.1 [157.6]	
		kgf	18,800 [20,410]	14,800 [16,070]	12,600 [13,680]	23,600 [25,620]	21,200 [23,020]	14,800 [16,070]	
		lbf	41,450 [45,000]	32,630 [35,430]	27,780 [30,160]	52,030 [56,480]	46,740 [50,750]	32,630 [35,430]	

Note : Boom weight includes arm cylinder, piping, and pin  
Arm weight includes bucket cylinder, linkage, and pin

# DIMENSIONS & WORKING RANGE

## HX340S L / HX340HD DIMENSIONS

6.45 m (21' 2"), 6.15 m (20' 2") BOOM and 2.2 m (7' 3"), 2.5 m (8' 2"), 3.2 m (10' 6"), 4.05 m (13' 3") ARM

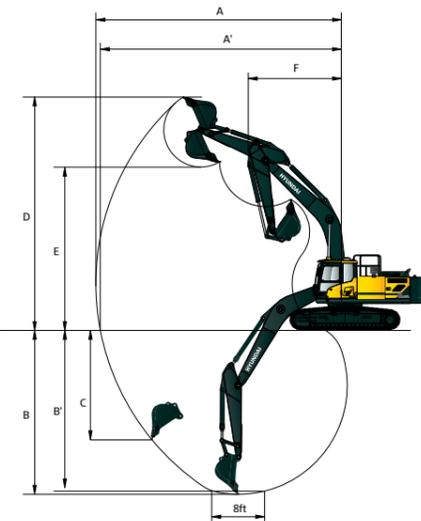


Dimension	Value	6.450 (21' 2")	6.150 (HD) (20' 2")	6.450 (HD) (21' 2")
A Tumbler distance	4,030 (13' 3")			
B Overall length of crawler	4,940 (16' 2")			
*C Ground clearance of counterweight	1,200 (3' 11")			
D Tail swing radius	3,570 (11' 9")			
D' Rear-end length	3,510 (11' 6")			
E Overall width of upperstructure	2,980 (9' 9")			
*F Overall height of cab	3,145 (10' 4")			
G Min. ground clearance	500 (1' 8")			
H Track gauge	2,680 (8' 10")			
*I Overall height of guardrail (Opt)	3,350 (11' 0")			
Boom length		6,450 (21' 2")	6,150 (HD) (20' 2")	6,450 (HD) (21' 2")
Arm length		2,500 (8' 2")	3,200 (10' 6")	4,050 (13' 3")
J Overall length		11,340 (37' 2")	11,220 (36' 10")	11,200 (36' 9")
*K Overall height of boom		3,540 (11' 7")	3,360 (11' 0")	3,880 (12' 9")
L Track shoe width		600 (24")	700 (28")	800 (32")
M Overall width		3,280 (10' 9")	3,380 (11' 1")	3,480 (11' 5")

Unit : mm (ft · in)

\* This figure includes the size of grousers.

## HX340S L / HX340HD WORKING RANGE



Dimension	Value	6.450 (21' 2")	6.150 (HD) (20' 2")	6.450 (HD) (21' 2")
Boom length		6,450 (21' 2")	6,150 (HD) (20' 2")	6,450 (HD) (21' 2")
Arm length		2,500 (8' 2")	3,200 (10' 6")	4,050 (13' 3")
A Max. digging reach		10,500 (34' 5")	11,150 (36' 7")	11,950 (39' 2")
A' Max. digging reach on ground		10,290 (33' 9")	10,950 (35' 11")	11,770 (38' 7")
B Max. digging depth		6,660 (21' 10")	7,360 (24' 2")	8,210 (26' 11")
B' Max. digging depth (8' level)		6,450 (21' 2")	7,200 (23' 7")	8,080 (26' 6")
C Max. vertical wall digging depth		5,660 (18' 7")	6,330 (20' 9")	7,240 (23' 9")
D Max. digging height		10,050 (33' 0")	10,360 (34' 0")	10,780 (35' 4")
E Max. dumping height		6,950 (22' 10")	7,260 (23' 10")	7,670 (25' 2")
F Min. swing radius		4,440 (14' 7")	4,360 (14' 4")	4,290 (14' 1")

Unit : mm (ft · in)

# LIFTING CAPACITY

Rating over-front Rating over-side or 360 degree

## HX340S L

6.45 m (21' 2") boom, 2.5 m (8' 2") arm equipped with 600 mm (24") triple grouser shoe and 6,000kg (13,230 lb) counterweight.

Lift point height m (ft)		Lift-point radius								At max. reach			
		3.0 m (9.8 ft)		4.5 m (14.8 ft)		6.0 m (19.7 ft)		7.5 m (24.6 ft)		Capacity	Reach		
												m (ft)	
7.5 m (24.6 ft)	kg									*8,810	7,590	6.93	
	lb									*19,420	16,730	(22.7)	
6.0 m (19.7 ft)	kg					*9,300	*9,300	*8,710	6,590	*8,710	6,020	7.90	
	lb					*20,500	*20,500	*19,200	14,530	*19,200	13,270	(25.9)	
4.5 m (14.8 ft)	kg				*13,700	*13,700	*10,600	9,030	*9,200	6,410	7,870	8.49	
	lb				*30,200	*30,200	*23,370	19,910	*20,280	14,130	17,350	(27.9)	
3.0 m (9.8 ft)	kg						*12,160	8,520	9,370	6,170	7,330	8.79	
	lb						*26,810	18,780	20,660	13,600	16,160	(28.8)	
1.5 m (4.9 ft)	kg						12,800	8,110	9,130	5,950	7,180	8.82	
	lb						28,220	17,880	20,130	13,120	15,830	(28.9)	
0.0 m (0.0 ft)	kg				*15,210	12,000	12,550	7,900	8,980	5,810	7,400	8.58	
	lb				*33,530	26,460	27,670	17,420	19,800	12,810	16,310	(28.2)	
-1.5 m (-4.9 ft)	kg				*18,300	12,060	12,510	7,850	8,950	5,790	8,100	8.06	
	lb				*40,340	26,590	27,580	17,310	19,730	12,760	17,860	(26.4)	
-3.0 m (-9.8 ft)	kg	*21,480	*21,480	*16,590	12,270	12,640	7,970				9,680	7.19	
	lb	*47,360	*47,360	*36,570	27,050	27,870	17,570				21,340	(23.6)	
-4.5 m (-14.8 ft)	kg				*13,240	12,690						*9,980	5.80
	lb				*29,190	27,980						*22,000	(19.0)

6.45 m (21' 2") boom, 3.2 m (10' 6") arm equipped with 600 mm (24") triple grouser shoe and 6,000kg (13,230 lb) counterweight.

Lift point height m (ft)		Lift-point radius								At max. reach				
		3.0 m (9.8 ft)		4.5 m (14.8 ft)		6.0 m (19.7 ft)		7.5 m (24.6 ft)		9.0 m (29.5 ft)		Capacity	Reach	
														m (ft)
7.5 m (24.6 ft)	kg							*6,830	6,790			*5,610	*5,610	7.74
	lb							*15,060	14,970			*12,370	*12,370	(25.4)
6.0 m (19.7 ft)	kg							*7,850	6,720			*5,430	5,270	8.62
	lb							*17,310	14,820			*11,970	11,620	(28.3)
4.5 m (14.8 ft)	kg				*11,970	*11,970	*9,640	9,230	*8,500	6,510		*5,450	4,650	9.17
	lb				*26,390	*26,390	*21,250	20,350	*18,740	14,350		*12,020	10,250	(30.1)
3.0 m (9.8 ft)	kg				*15,500	13,260	*11,320	8,690	*9,370	6,240		*5,650	4,330	9.44
	lb				*34,170	29,230	*24,960	19,160	*20,660	13,760		*12,460	9,550	(31.0)
1.5 m (4.9 ft)	kg				*17,440	12,360	*12,820	8,210	9,170	5,970		*6,050	4,220	9.47
	lb				*38,450	27,250	*28,260	18,100	20,220	13,160		*13,340	9,300	(31.1)
0.0 m (0.0 ft)	kg				*17,250	11,990	12,580	7,910	8,960	5,790		6,590	4,300	9.25
	lb				*38,030	26,430	27,730	17,440	19,750	12,760		14,530	9,480	(30.4)
-1.5 m (-4.9 ft)	kg	*10,800	*10,800	*18,850	11,930	12,440	7,790	8,870	5,700			7,100	4,620	8.77
	lb	*23,810	*23,810	*41,560	26,300	27,430	17,170	19,550	12,570			15,650	10,190	(28.8)
-3.0 m (-9.8 ft)	kg	*17,460	*17,460	*17,650	12,060	12,490	7,830	8,920	5,750			8,190	5,320	7.98
	lb	*38,490	*38,490	*38,910	26,590	27,540	17,260	19,670	12,680			18,060	11,730	(26.2)
-4.5 m (-14.8 ft)	kg	*20,530	*20,530	*15,150	12,380	*11,380	8,060					*9,570	6,870	6.76
	lb	*45,260	*45,260	*33,400	27,290	*25,090	17,770					*21,100	15,150	(22.2)

6.45 m (21' 2") boom, 4.05 m (13' 3") arm equipped with 600 mm (24") triple grouser shoe and 6,000kg (13,230 lb) counterweight.

Lift point height m (ft)		Lift-point radius								At max. reach						
		1.5 m (4.9 ft)		3.0 m (9.8 ft)		4.5 m (14.8 ft)		6.0 m (19.7 ft)		7.5 m (24.6 ft)		9.0 m (29.5 ft)		Capacity	Reach	
																m (ft)
9.0m (29.5ft)	kg									*4,710	*4,710			*4,520	*4,520	7.55
	lb									*10,380	*10,380			*9,960	*9,960	(24.8)
7.5 m (24.6 ft)	kg													*4,190	*4,190	8.72
	lb													*9,240	*9,240	(28.6)
6.0 m (19.7 ft)	kg													*6,790	*6,790	9.50
	lb													*14,970	*14,970	(31.2)
4.5 m (14.8 ft)	kg													*7,530	6,610	10.00
	lb													*16,600	14,570	(32.8)
3.0 m (9.8 ft)	kg				*13,300	*13,300	*10,090	8,870	*8,510	6,290		7,110	4,700	*4,200	3,750	10.25
	lb				*29,320	*29,320	*22,240	19,550	*18,760	13,870		15,670	10,360	*9,260	8,270	(33.6)
1.5 m (4.9 ft)	kg				*16,510	12,630	*11,820	8,290	9,190	5,980		6,920	4,520	*4,450	3,650	10.28
	lb				*36,400	27,840	*26,060	18,280	20,260	13,180		15,260	9,960	*9,810	8,050	(33.7)
0.0 m (0.0 ft)	kg				*6,350	*6,350	*18,350	11,980	12,570	7,880		6,770	4,380	*4,870	3,690	10.08
	lb				*14,000	*14,000	*40,450	26,410	27,710	17,370		19,640	12,610	*10,740	8,140	(33.1)
-1.5 m (-4.9 ft)	kg	*6,460	*6,460	*9,880	*9,880	*18,870	11,730	12,310	7,650	8,740	5,570	6,690	4,300	*5,560	3,910	9.64
	lb	*14,240	*14,240	*21,780	*21,780	*41,600	25,860	27,140	16,870	19,270	12,280	14,750	9,480	*12,260	8,620	(31.6)
-3.0 m (-9.8 ft)	kg	*10,370	*10,370	*14,460	*14,460	*18,330	11,740	12,260	7,600	8,700	5,540			*6,720	4,380	8.92
	lb	*22,860	*22,860	*31,880	*31,880	*40,410	25,880	27,030	16,760	19,180	12,210			*14,820	9,660	(29.3)
-4.5 m (-14.8 ft)	kg	*15,020	*15,020	*20,810	*20,810	*16,670	11,950	12,390	7,720	8,840	5,670			8,290	5,340	7.86
	lb	*33,110	*33,110	*45,880	*45,880	*36,750	26,350	27,320	17,020	19,490	12,500			18,280	11,770	(25.8)
-6.0 m (-19.7ft)	kg				*18,330	*18,330	*13,230	12,410	*9,500	8,090				*8,840	7,650	6.26
	lb				*40,410	*40,410	*29,170	27,360	*20,940	17,840				*19,490	16	



# LIFTING CAPACITY

Rating over-front Rating over-side or 360 degree

## HX340S L

6.45m (21' 2") boom, 2.5 m (8' 2") arm equipped with 600 mm (24") triple grouser shoe and 6,600kg (14,550 lb) counterweight.

Lift point height m (ft)	Lift-point radius								At max. reach			
	3.0 m (9.8 ft)		4.5 m (14.8 ft)		6.0 m (19.7 ft)		7.5 m (24.6 ft)		Capacity	Reach m (ft)		
7.5 m (24.6 ft)	kg								*8,810	7,970	6.93 (22.7)	
	lb								*19,420	17,570		
6.0 m (19.7 ft)	kg					*9,300	*9,300	*8,710	6,930	*8,710	6,340	7.90 (25.9)
	lb					*20,500	*20,500	*19,200	15,280	*19,200	13,980	
4.5 m (14.8 ft)	kg		*13,700	*13,700	*10,600	9,480	*9,200	6,760	8,230	5,530	8.49 (27.9)	
	lb		*30,200	*30,200	*23,370	20,900	*20,280	14,900	18,140	12,190		
3.0 m (9.8 ft)	kg				*12,160	8,970	9,800	6,510	7,670	5,130	8.79 (28.8)	
	lb				*26,810	19,780	21,610	14,350	16,910	11,310		
1.5 m (4.9 ft)	kg				13,390	8,570	9,550	6,290	7,520	5,000	8.82 (28.9)	
	lb				29,520	18,890	21,050	13,870	16,580	11,020		
0.0 m (0.0 ft)	kg		*15,210	12,680	13,140	8,350	9,400	6,150	7,750	5,130	8.58 (28.2)	
	lb		*33,530	27,950	28,970	18,410	20,720	13,560	17,090	11,310		
-1.5 m (-4.9 ft)	kg		*18,300	12,740	13,090	8,310	9,380	6,130	8,480	5,590	8.06 (26.4)	
	lb		*40,340	28,090	28,860	18,320	20,680	13,510	18,700	12,320		
-3.0 m (-9.8 ft)	kg	*21,480	*21,480	*16,590	12,940	*12,720	8,430		*10,110	6,630	7.19 (23.6)	
	lb	*47,360	*47,360	*36,570	28,530	*28,040	18,580		*22,290	14,620		
-4.5 m (-14.8 ft)	kg		*13,240	*13,240					*9,980	9,230	5.80 (19.0)	
	lb		*29,190	*29,190					*22,000	20,350		

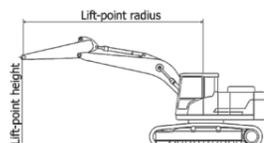
6.45 m (21' 2") boom, 3.2 m (10' 6") arm equipped with 600 mm (24") triple grouser shoe and 6,600kg (14,550 lb) counterweight.

Lift point height m (ft)	Lift-point radius										At max. reach			
	3.0m (9.8ft)		4.5m (14.8ft)		6.0m (19.7ft)		7.5m (24.6ft)		9.0m (29.5ft)		Capacity	Reach m (ft)		
7.5 m (24.6 ft)	kg										*5,610	*5,610	7.74 (25.4)	
	lb										*12,370	*12,370		
6.0 m (19.7 ft)	kg										*7,800	7,060	8.62 (28.3)	
	lb										*17,200	15,560		
4.5 m (14.8 ft)	kg			*11,900	*11,900	*9,580	*9,580	*8,430	6,830	*6,660	5,050	*5,450	4,880	9.17 (30.1)
	lb			*26,230	*26,230	*21,120	*21,120	*18,580	15,060	*14,680	11,130	*12,020	10,760	
3.0 m (9.8 ft)	kg			*15,380	13,880	*11,230	9,100	*9,280	6,540	7,400	4,920	*5,650	4,550	9.44 (31.0)
	lb			*33,910	30,600	*24,760	20,060	*20,460	14,420	16,310	10,850	*12,460	10,030	
1.5 m (4.9 ft)	kg			*17,450	12,920	*12,700	8,590	9,550	6,260	7,250	4,790	*6,050	4,430	9.47 (31.1)
	lb			*38,470	28,480	*28,000	18,940	21,050	13,800	15,980	10,560	*13,340	9,770	
0.0 m (0.0 ft)	kg			*17,260	12,530	13,090	8,270	9,330	6,060	7,140	4,690	*6,720	4,510	9.25 (30.4)
	lb			*38,050	27,620	28,860	18,230	20,570	13,360	15,740	10,340	*14,820	9,940	
-1.5 m (-4.9 ft)	kg	*10,800	*10,800	*18,640	12,460	12,940	8,140	9,230	5,970			7,390	4,840	8.77 (28.8)
	lb	*23,810	*23,810	*41,090	27,470	28,530	17,950	20,350	13,160			16,290	10,670	
-3.0 m (-9.8 ft)	kg	*17,460	*17,460	*17,440	12,580	12,990	8,180	9,280	6,020			8,530	5,560	7.98 (26.2)
	lb	*38,490	*38,490	*38,450	27,730	28,640	18,030	20,460	13,270			18,810	12,260	
-4.5 m (-14.8 ft)	kg	*20,250	*20,250	*14,950	12,910	*11,230	8,410					*9,440	7,180	6.76 (22.2)
	lb	*44,640	*44,640	*32,960	28,460	*24,760	18,540					*20,810	15,830	

6.45 m (21' 2") boom, 4.05 m (13' 3") arm equipped with 600 mm (24") triple grouser shoe and 6,600kg (14,550 lb) counterweight.

Lift point height m (ft)	Lift-point radius										At max. reach					
	1.5m (4.9ft)		3.0m (9.8ft)		4.5m (14.8ft)		6.0m (19.7ft)		7.5m (24.6ft)		9.0m (29.5ft)		Capacity	Reach m (ft)		
9.0 m (29.5 ft)	kg												*4,520	*4,520	7.55 (24.8)	
	lb												*9,960	*9,960		
7.5 m (24.6 ft)	kg												*4,190	*4,190	8.72 (28.6)	
	lb												*9,240	*9,240		
6.0 m (19.7 ft)	kg												*6,790	*6,790	9.50 (31.2)	
	lb												*14,970	*14,970		
4.5 m (14.8 ft)	kg												*7,530	6,950	10.00 (32.8)	
	lb												*16,600	15,320		
3.0 m (9.8 ft)	kg					*13,300	*13,300	*10,090	9,320	*8,510	6,630	7,440	4,970	*4,200	3,980	10.25 (33.6)
	lb					*29,320	*29,320	*22,240	20,550	*18,760	14,620	16,400	10,960	*9,260	8,770	
1.5 m (4.9 ft)	kg					*16,510	13,310	*11,820	8,750	*9,500	6,320	7,260	4,800	*4,450	3,880	10.28 (33.7)
	lb					*36,400	29,340	*26,060	19,290	*20,940	13,930	16,010	10,580	*9,810	8,550	
0.0 m (0.0 ft)	kg			*6,350	*6,350	*18,350	12,660	*13,100	8,330	9,330	6,070	7,100	4,650	*4,870	3,930	10.08 (33.1)
	lb			*14,000	*14,000	*40,450	27,910	*28,880	18,360	20,570	13,380	15,650	10,250	*10,740	8,660	
-1.5 m (-4.9 ft)	kg	*6,460	*6,460	*9,880	*9,880	*18,870	12,410	*18,870	8,110	9,170	5,920	7,020	4,580	*5,560	4,170	9.64 (31.6)
	lb	*14,240	*14,240	*21,780	*21,780	*41,600	27,360	*28,440	17,880	20,220	13,050	15,480	10,100	*12,260	9,190	
-3.0 m (-9.8 ft)	kg	*10,370	*10,370	*14,460	*14,460	*18,330	12,410	*18,330	8,060	9,130	5,880	6,720	4,660	*6,720	4,660	8.92 (29.3)
	lb	*22,860	*22,860	*31,880	*31,880	*40,410	27,360	*28,310	17,770	20,130	12,960	14,820	10,270	*14,820	10,270	
-4.5 m (-14.8 ft)	kg	*15,020	*15,020	*20,810	*20,810	*16,670	12,620	*12,500	8,180	9,270	6,010	8,690	5,660	8,690	5,660	7.86 (25.8)
	lb	*33,110	*33,110	*45,880	*45,880	*36,750	27,820	*27,560	18,030	20,440	13,250	19,160	12,480	*19,160	12,480	
-6.0 m (-19.7 ft)	kg			*18,330	*18,330	*13,230	13,080	*9,500	8,550			*8,840	8,080	8,840	8,080	6.26 (20.5)
	lb			*40,410	*40,410	*29,170	28,840	*20,940	18,850			*19,490	17,810	*19,490	17,810	

- Lifting capacity are based on ISO 10567.
- Lifting capacity of the Robex Series does not exceed 75% of tipping load with the machine on firm, level ground or 87% of full hydraulic capacity.
- The Lift-point is bucket pivot mounting pin on the arm(without bucket mass).
- (\*) indicates load limited by hydraulic capacity.



# LIFTING CAPACITY

Rating over-front Rating over-side or 360 degree

## HX340S L / HX340HD

6.15m (20' 2") boom, 2.2m (7' 3") arm equipped with 600mm (24") triple grouser shoe and 6,600kg (14,550lb) counterweight.

Lift point height m (ft)	Lift-point radius								At max. reach				
	3.0 m (9.8 ft)		4.5 m (14.8 ft)		6.0 m (19.7 ft)		7.5 m (24.6 ft)		Capacity	Reach m (ft)			
7.5 m (24.6 ft)	kg								*9,650	*9,650	9.210	6.31 (20.7)	
	lb								*21,270	*21,270	20,300		
6.0 m (19.7 ft)	kg								*9,850	*9,850	7.070	7.36 (24.2)	
	lb								*21,720	*21,720	15,590		
4.5 m (14.8 ft)	kg								*10,990	9,530	*9,690	6,760	8.00 (26.2)
	lb								*24,230	21,010	*21,360	14,900	
3.0 m (9.8 ft)	kg								*12,440	9,040	9,850	6,550	8.39 (27.3)
	lb								*27,430	19,930	21,720	14,440	
1.5 m (4.9 ft)	kg								13,510	8,650	9,630	6,350	8.34 (27.4)
	lb								29,780	19,070	21,230	14,000	
0.0 m (0.0 ft)	kg								13,270	8,450	9,510	6,230	8.10 (26.6)
	lb								29,260	18,630	20,970	13,730	
-1.5 m (-4.9 ft)	kg								*18,180	12,900	13,250	8,430	7.54 (24.7)
	lb								*40,080	28,440	29,210	18,580	
-3.0 m													

# LIFTING CAPACITY

Rating over-front Rating over-side or 360 degree

## HX340S L / HX340HD

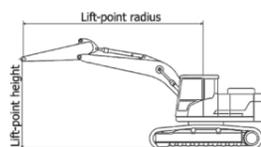
6.45m (21' 2") HD boom, 2.2 m (7' 3") arm equipped with 600 mm (24") triple grouser shoe and 6,600kg (14,550 lb) counterweight.

Lift point height m (ft)	Lift-point radius								At max. reach		
	3.0 m (9.8 ft)		4.5 m (14.8 ft)		6.0 m (19.7 ft)		7.5 m (24.6 ft)		Capacity	Reach	
7.5 m (24.6 ft)	kg				*9,180	*9,180			*9,300	8,290	6.71
	lb				*20,240	*20,240			*20,500	18,280	(22.0)
6.0 m (19.7 ft)	kg				*9,660	*9,660	*9,060	6,840	*9,090	6,510	7.71
	lb				*21,300	*21,300	*19,970	15,080	*20,040	14,350	(25.3)
4.5 m (14.8 ft)	kg				*10,910	9,380	*9,420	6,680	8,440	5,640	8.32
	lb				*24,050	20,680	*20,770	14,730	18,610	12,430	(27.3)
3.0 m (9.8 ft)	kg				*12,390	8,850	9,740	6,440	7,850	5,220	8.62
	lb				*27,320	19,510	21,470	14,200	17,310	11,510	(28.3)
1.5 m (4.9 ft)	kg				13,290	8,460	9,500	6,220	7,700	5,090	8.65
	lb				29,300	18,650	20,940	13,710	16,980	11,220	(28.4)
0.0 m (0.0 ft)	kg				13,070	8,260	9,360	6,100	7,960	5,240	8.41
	lb				28,810	18,210	20,640	13,450	17,550	11,550	(27.6)
-1.5 m (-4.9 ft)	kg				*17,750	12,670	13,050	8,250	9,370	6,100	7.88
	lb				*39,130	27,930	28,770	18,190	20,660	13,450	(25.8)
-3.0 m (-9.8 ft)	kg	*19,890	*19,890		*15,830	12,910	*12,210	8,410	*9,890	6,910	6.98
	lb	*43,850	*43,850		*34,900	28,460	*26,920	18,540	*21,800	15,230	(22.9)
-4.5 m (-14.8 ft)	kg				*12,030	*12,030			*9,280	*9,280	5.54
	lb				*26,520	*26,520			*20,460	*20,460	(18.2)

6.45m (21' 2") HD boom, 2.5 m (8' 2") arm equipped with 600 mm (24") triple grouser shoe and 6,600kg (14,550 lb) counterweight.

Lift point height m (ft)	Lift-point radius								At max. reach			
	3.0m (9.8ft)		4.5m (14.8ft)		6.0m (19.7ft)		7.5m (24.6ft)		Capacity	Reach		
7.5 m (24.6 ft)	kg								*8,730	7,950	6.93	
	lb								*19,250	17,530	(22.7)	
6.0 m (19.7 ft)	kg					*9,230	*9,230	*8,630	6,900	*8,620	6,300	7.90
	lb					*20,350	*20,350	*19,030	15,210	*19,000	13,890	(25.9)
4.5 m (14.8 ft)	kg				*13,590	*13,590	*10,510	9,450	*9,110	6,710	8.49	
	lb				*29,960	*29,960	*23,170	20,830	*20,080	14,790	(27.9)	
3.0 m (9.8 ft)	kg						*12,030	8,900	9,750	6,450	8.79	
	lb						*26,520	19,620	21,500	14,220	(28.8)	
1.5 m (4.9 ft)	kg						*13,260	8,460	9,490	6,210	8.82	
	lb						*29,230	18,650	20,920	13,690	(28.9)	
0.0 m (0.0 ft)	kg				*17,240	12,480	13,030	8,220	9,320	6,060	8.58	
	lb				*38,010	27,510	28,730	18,120	20,550	13,360	(28.2)	
-1.5 m (-4.9 ft)	kg				*18,050	12,540	12,980	8,180	9,290	6,030	8.06	
	lb				*39,790	27,650	28,620	18,030	20,480	13,290	(26.4)	
-3.0 m (-9.8 ft)	kg	*21,280	*21,280		*16,340	12,750	*12,540	8,300	*9,960	6,530	7.19	
	lb	*46,910	*46,910		*36,020	28,110	*27,650	18,300	*21,960	14,400	(23.6)	
-4.5 m (-14.8 ft)	kg				*13,020	*13,020			*9,810	9,120	5.80	
	lb				*28,700	*28,700			*21,630	20,110	(19.0)	

- Lifting capacity are based on ISO 10567.
- Lifting capacity of the Robex Series does not exceed 75% of tipping load with the machine on firm, level ground or 87% of full hydraulic capacity.
- The Lift-point is bucket pivot mounting pin on the arm(without bucket mass).
- (\*) indicates load limited by hydraulic capacity.



# LIFTING CAPACITY

Rating over-front Rating over-side or 360 degree

## HX340S L / HX340HD

6.45 m (21' 2") boom, 3.2 m (10' 6") arm equipped with 600 mm (24") triple grouser shoe and 6,000kg (13,230 lb) counterweight.

Lift point height m (ft)	Lift-point radius										At max. reach	
	3.0 m (9.8 ft)		4.5 m (14.8 ft)		6.0 m (19.7 ft)		7.5 m (24.6 ft)		9.0 m (29.5 ft)		Capacity	Reach
7.5 m (24.6 ft)	kg											
	lb											
6.0 m (19.7 ft)	kg											
	lb											
4.5 m (14.8 ft)	kg											
	lb											
3.0 m (9.8 ft)	kg											
	lb											
1.5 m (4.9 ft)	kg											
	lb											
0.0 m (0.0 ft)	kg											
	lb											
-1.5 m (-4.9 ft)	kg	*10,800	*10,800									
	lb	*23,810	*23,810									
-3.0 m (-9.8 ft)	kg	*17,460	*17,460									
	lb	*38,490	*38,490									
-4.5 m (-14.8 ft)	kg	*20,250	*20,250									
	lb	*44,640	*44,640									

6.45 m (21' 2") boom, 3.2 m (10' 6") arm equipped with 600 mm (24") triple grouser shoe and 6,600kg (14,550 lb) counterweight.

Lift point height m (ft)	Lift-point radius										At max. reach	
	3.0 m (9.8 ft)		4.5 m (14.8 ft)		6.0 m (19.7 ft)		7.5 m (24.6 ft)		9.0 m (29.5 ft)		Capacity	Reach
7.5 m (24.6 ft)	kg											
	lb											
6.0 m (19.7 ft)	kg											
	lb											
4.5 m (14.8 ft)	kg											
	lb											
3.0 m (9.8 ft)	kg											
	lb											
1.5 m (4.9 ft)	kg											
	lb											
0.0 m (0.0 ft)	kg											
	lb											
-1.5 m (-4.9 ft)	kg	*10,800	*10,800									
	lb	*23,810	*23,810									
-3.0 m (-9.8 ft)	kg	*17,460	*17,460									
	lb	*38,490	*38,490									
-4.5 m (-14.8 ft)	kg	*20,250	*20,250									
	lb	*44,640	*44,640									

- Lifting capacity are based on ISO 10567.
- Lifting capacity of the Robex Series does not exceed 75% of tipping load with the machine on firm, level ground or 87% of full hydraulic capacity.
- The Lift-point is bucket pivot mounting pin on the arm(without bucket mass).
- (\*) indicates load limited by hydraulic capacity.

