

HX500 L

With Tier 3 / Stage IIIA Engine Installed



Head Office(Sales Office)
11F, GLOBAL R&D CENTER, 477 BUNDANG SUSEO-RO, BUNDANG-GU, SEONGNAM-SI, GYEONGGI-DO, 13553, KOREA

THE OFFICIAL DEALER OF HYUNDAI
«TYAZHPROMINVEST» (TPI, LLC)
105082 MOSCOW STREET B.POCHTOVAYA D.26/1 OFF.605

+7 (495) 782-73-79
+7 (800) 550-73-35

WWW.T-P-I.RU
HYUNDAI-MSK@T-P-I.RU

2024. APR

Gross Power
250 kW (335 HP) at 2100 rpm

Net Power
246 kW (330 HP) at 2100 rpm

Bucket Capacity
1.38 ~ 3.20 m³

Operating Weight
49,900 kg



RULE THE GROUND

HX500 L

The HX Series exceeds customer's expectation!
Become a true leader on the ground with HCE's HX Series.

WORK MAX, WORTH MAX

- IPC (Intelligent Power Control) **Upgrade**
- Attachment Flow Control **Option**
- New Cooling System with Increased Air Flow
- Fuel Rate Information
- ECO Gauge
- Enlarged Air Inlet with Grill Cover

MORE RELIABLE, MORE SUSTAINABLE

- Durable Cooling Module
- Reinforced Pin, Bush, and Polymer Shim
- Reinforced Durability of Upper and Lower Structure and Attachments
- Wear Resistant Cover Plate
- Hi-grade (High-pressure) Hoses

INFOTAINMENT FRONTIER

- Proportional Auxiliary Hydraulic System **Option**
- Quick Coupler Button **Option**
- New Front Side Air Conditioning Systems
- Intelligent and Wide Cluster
- New Air Conditioning System
- Audio System



MODERN COMFORT, SIMPLE AND SAFE SOLUTION

- AAVM (Advanced Around View Monitoring) Camera System **Option**
- Hi MATE (Remote Management System) **Option**
- Swing Lock System **Option**
- Cab Suspension Mount



WORK MAX, WORTH MAX

Fuel Efficient System Allows Great Performance

HX Series has an eco-friendly, high-performance engine which ensures both excellent fuel efficiency and high power. With outstanding operating performance proven by rigorous tests at various work sites, it will satisfy any customer's needs.

New Variable Power Control

HX Series minimizes equipment input and output control signals to improve fuel efficiency. Its three-stage power mode ensures the highest performance in any operating environment.



* **P(power) mode** : Maximizes speed and power of the equipment for heavy load work.



* **S(standard) mode** : Optimizes performance and fuel efficiency of the equipment for general load work.



* **E(economy) mode** : Improves the control system for light load work.

BETTER FUEL-EFFICIENCY (Compared to 9 Series)

Truck Loading

9%

Leveling

15%

Daily Fuel Efficiency

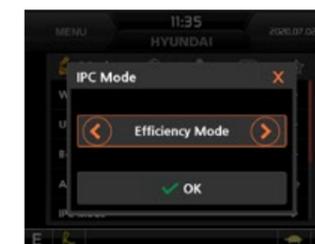
12%

15% increased greater screen from 7 to 8 inch is applied in HX Series. More functions and better resolution are available with adding premium options.

IPC (Intelligent Power Control)

Upgrade

HX Series adopts the upgraded IPC system. It is able to optimize pump flow rate and power at the various working condition through the individual pump control. Furthermore, optimized design of MCV and pipe line minimizes energy loss such as conflux and throttle loss.



Attachment Flow Control Option

HX Series improves pump flow rate by independent control of two pumps. It optimizes attachments for effective flow rate setting depending on attachments (ten breaker types and ten crusher types), enabling various operations matching the site environments.



Eco Gauge

Eco gauge enables economic operation of machines. The gauge level and color displays engine torque and fuel efficiency level. On top of that, the status of fuel consumption such as average rate and the total amount of fuel consumed is displayed. Hourly and daily based fuel consumption can be checked in the detailed menu as well.



Fuel Rate Information



Durable Cooling Module

HX Series has a durable cooling module that passed stringent tests, demonstrating the highest productivity in tough working environments.



Enlarged Air Inlet with Grill Cover

Enlarged vent hole of the air inlet side cover and fine net grill to prevent penetration of foreign materials further improve durability.





MORE RELIABLE, MORE SUSTAINABLE

New Exterior Design for Robustness and Safety

The true value of HX Series lies in its durability. The robust frame structure and the attachments show the real value of HX Series in tough working environments and promise higher productivity.



We make the best performance in rough working conditions without any unsureness with trustworthy HX500L.



Durable Cooling Module

HX Series has a durable cooling module that passed stringent tests, demonstrating the highest productivity in tough working environments.

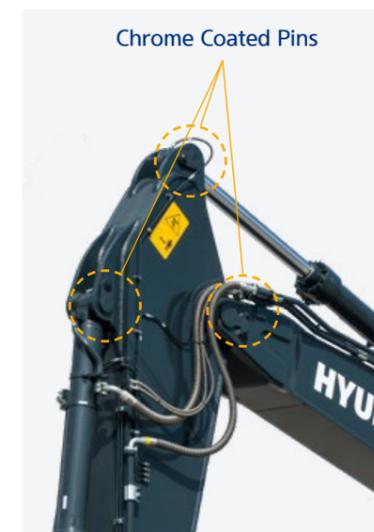
Reinforced Durability of Upper and Lower Structure and Attachments

The upper and lower structure and attachments of HX Series have higher durability than demanded on the site, as proven through numerous tests including road tests and virtual simulation. The wear resistance of the bucket has been improved by use of new material.



Reinforced Pins, Bushing, and Polymer Shims

HX Series improves lubricity of connecting parts between the equipment and attachments. Gaps with attachments are minimized by wear-resistant long-life pins, bushes, and polymer shims, supporting the highest performance with invariable durability.



Wear Resistant Cover Plate

A wear-resistant cover plate is installed at the end of the arm to minimize abrasion on the connector between the arm and the bucket. Vibration reduction of buckets enables more stable operation even in high-load work.

Hi-grade (High-pressure) Hoses

HX Series uses high-pressure hoses with improved heat and pressure resistance, greatly increasing the durability of the equipment.

13%

CABIN SPACE FOR DRIVERS INCREASED BY (compared to the previous model)

310mm
340mm

INFOTAINMENT FRONTIER

Improved Instrument Panel for Easier Monitoring

Many electronic functions are concentrated in the most convenient spot for operators to improve work efficiency. The highly-advanced infotainment system, a product of HCE's intensive information technology development, enables both productivity and comfort while working! HX Series is designed with the operator in mind.

Photo may include optional equipment.

New Front Side Air-conditioning System

The ventilation is designed for both warm and cool air reaching to operator's faces. It could help operators create more neat and enjoyable atmosphere through indoor air circulation.



Audio System

The radio player with a USB-based MP3 player, an integrated Bluetooth hands-free feature, and a built-in microphone allow for phone calls while at work and in transit. The radio player is conveniently located on the right side of the operator to allow for improved access.



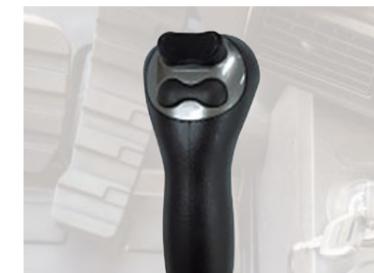
Quick Coupler Button Option

Easy attachment replacement of equipment is available with quick coupler button.



Proportional Auxiliary Hydraulic System Option

Proportional control switch with better speed control helps operators to enlarge the operation convenience whenever they do time-consuming work.



Intelligent and Wide Cluster

The 8" capacitive-type display (like smartphone display) of HX Series is delivering excellent legibility. The centralized switches on the display allow convenience of checking temperature outside the cabin.



* The above image is 'Premium Type'

New Air Conditioning System

Front side Air Vent holes make operators more convenient and fresh through direct air flow to driver's face, foot and body.





MODERN COMFORT, SIMPLE AND SAFE SOLUTION

New Cabin for More Comfort

Low noise, low vibration, and ergonomic design make the cabin space more comfortable and pleasant! With focus on safety and convenience of operators, HX Series allows rapid and safe equipment inspection anytime and anywhere, providing an optimal environment for operators to work.



HiMATE

Option

IT'S CONVENIENT, EASY AND VALUABLE

Hi MATE Hyundai's newly developed remote management system, utilizes GPS-satellite technology to provide customers with the highest level of service and product support available. Hi MATE enables users to remotely evaluate machine performance, access diagnostic information, and verify machine locations at the touch of a button.

WHAT IS BENEFITS



Increase Productivity

It helps you operate machines in efficient. You can check the difference between total engine hours and actual working hours. See how productive your machines are and plan any required cost saving solutions. Hi MATE offers working information such as working / idling hours, fuel consumption and rate.



Convenient and Easy Monitoring

There is nothing much to do to monitor your machines. Just log on to the Hi MATE website or mobile application. Hi MATE allows you to watch your machines whenever and wherever you are.



Security

Protect your machines from theft or unauthorized usage with Hi MATE. If the machine moves out of the Geofence boundary, you will get alerts.



HX500L with advanced technology ensures our safety on a construction site.

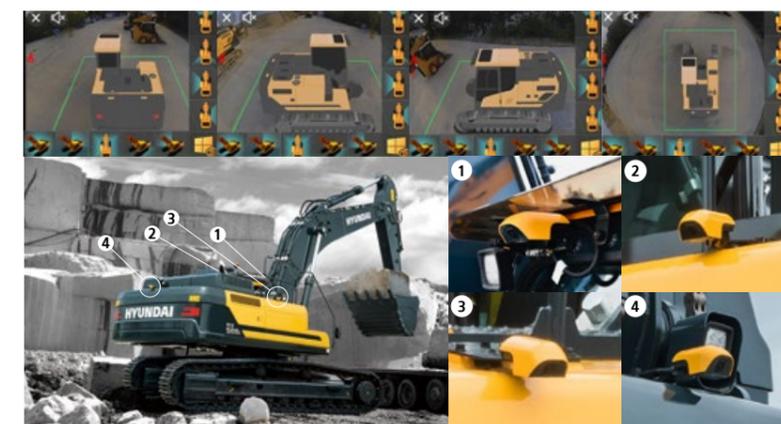


HX Series excavators are products of HCE's spirit of initiative, creativity, and strong drive. HCE engineers, who are the best in the industry, have worked tirelessly to offer a zero-defect product. The new HX Series reflects customers' needs in the field gleaned by thorough monitoring.

AAVM(Advanced Around View Monitoring) Camera System **Option**

HX Series has a state-of-the-art AAVM video camera system to secure field of vision for operators in all directions, thereby preventing accidents. Operators can easily check the workplace in the front and rear and to the right and left.

- **AAVM**(Advanced Around View Monitoring) : Secure field of vision in all directions by ten views including 3D bird's eye view and 2D/4CH view.
- **IMOD**(Intelligent Moving Object Detection) : Inform when pedestrians or dangerous objects are moving around the machine waiting for work.



Swing Lock System **Option**

Swing lock system is provided to maintain stability when swing movement needs to be limited, improving operating speed and productivity.

Cabin Suspension Mount

With a low-vibration design by the coil spring and damper inside the mount, the cab suspension mount of HX Series reduces noise inside the cabin and improves durability, providing a comfortable operation space that lessens operators' fatigue.

SPECIFICATIONS

ENGINE

Maker / Model	CUMMINS / X12
Type	6 cylinder, water cooled, 4-cycle, turbocharged charge air cooled, direct injection, electronic controlled diesel engine.
Gross Power	250 kW (335 hp) at 2,100 rpm
Net Power	246 kW (330 hp) at 2,100 rpm
Max. Power	276 kW (370 hp) at 1,800 rpm
Peak Torque	1,674 N · m (1,235 lb-ft) at 1,400 rpm
Displacement	11.8 l (720 cu in)
Operating Altitude (w/o derate)	2,000 m (6,562 ft)

HYDRAULIC SYSTEM

MAIN PUMP

Type	Variable displacement axial piston pumps
Max. Flow	2 × 394 lpm (104.0 US gpm / 86.7 UK gpm) 1 × 23.9 lpm (6.3 US gpm / 5.3 UK gpm)
Sub-Pump For Pilot Circuit	Gear pump

Cross-sensing and fuel saving pump system.

HYDRAULIC MOTORS

Travel	Two speed axial pistons motor with brake valve and parking brake
Swing	Axial piston motor with automatic brake

RELIEF VALVE SETTING

Implement Circuits	330 kgf/cm ² (4,694psi)
Travel	360 kgf/cm ² (5,120psi)
Power Boost (Boom, Arm, Bucket)	360 kgf/cm ² (5,120psi)
Swing Circuit	285 kgf/cm ² (4,053psi)
Pilot Circuit	40 kgf/cm ² (569 psi)
Service Valve	Installed

HYDRAULIC CYLINDERS

No. of Cylinder	Boom 2-∅170 × 1,580 mm
	Arm 1-∅190 × 1,850 mm
Bore X Stroke	Bucket 1-∅160 × 1,360 mm
	1-∅170 × 1,360 mm
	6,550 mm (21' 6") Boom & 2,550 mm (8' 4") Arm Only

DRIVES & BRAKES

Drive Method	Fully hydrostatic type
Drive Motor	Axial piston motor, in-shoe design
Reduction System	Planetary reduction gear
Max. Drawbar Pull	39,674 kgf (87,466 lbf)
Max. Travel Speed (High / Low)	3.4 km/hr (2.1 mph) / 5.5 km/hr (3.4 mph)
Gradeability	35° (70%)
Parking Brake	Multi wet disc

CONTROL

Pilot pressure operated joysticks and pedals with detachable lever provide almost effortless and fatigueless operation.

Pilot Control	Two joysticks with one safety lever (LH) : Swing and arm, (RH) : Boom and bucket (ISO)
Traveling and Steering	Two levers with pedals
Engine Throttle	Electric, dial type

SWING SYSTEM

Swing Motor	Axial piston motor
Swing Reduction	Planetary gear reduction
Swing Bearing Lubrication	Grease-bathed
Swing Brake	Multi wet disc
Swing Speed	8.8 rpm

COOLANT & LUBRICANT CAPACITY

	liter	US gal	UK gal
Fuel Tank	660	174.35	145.18
Engine Coolant	43	11.3	9.4
Engine Oil	34	9.0	7.5
Swing Device	7	1.8	1.5
Final Drive (Each)	13	3.4	2.9
Hydraulic System (Including Tank)	499	131.7	109.7
Hydraulic Tank	275	72.6	60.4

UNDERCARRIAGE

The X-leg type center frame is integrally welded with reinforced box-section track frames. The undercarriage includes lubricated rollers, idlers, track adjusters with shock absorbing springs and sprockets, and a track chain with double or triple grouser shoes.

Center Frame	X - Leg Type
Track Frame	Pentagonal Box Type
No. of Shoes on Each Side	53 EA
No. of Carrier Roller on Each Side	2 EA
No. of Track Roller on Each Side	9 EA
No. of Rail Guard on Each Side	2 EA

OPERATING WEIGHT (APPROXIMATE)

Operating weight, including 7,060mm (23' 2") boom, 3,380mm (11' 1") arm, SAE heaped 2.2m³ (2.88 yd³) bucket, lubricant, coolant, full fuel tank, full hydraulic tank, and all standard equipments.

OPERATING WEIGHT

Shoes	Operating Weight		Ground Pressure
Type	Width mm(in)	kg (lb)	kgf/cm ² (psi)
Triple Grouser	600 (24")	49,900 (110,010)	0.87 (12.3)
	700 (28")	50,420 (111,160)	0.75 (10.7)
	800 (32")	50,950 (112,330)	0.66 (9.4)
	900 (36")	51,460 (113,450)	0.60 (8.5)
Double Grouser	600HD (24")	50,080 (110,410)	0.87 (12.4)
	600 (24")	49,930 (110,080)	0.87 (12.3)

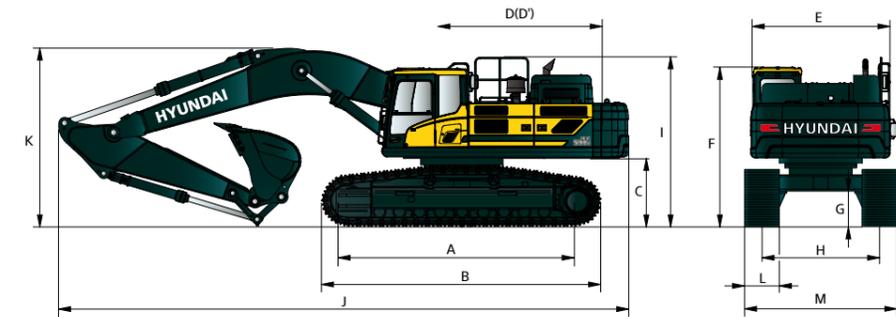
AIR CONDITIONING SYSTEM

The air condition system for the machine contains the fluorinated greenhouse gas with global warming potential of R134a. (Global Warming Potential : 1,430) The system hold 0.8 kg refrigerant consisting of a CO₂ equivalent of 1.21 kg. For more information, Please refer to the manual.

DIMENSIONS & WORKING RANGE

HX500L DIMENSIONS

6.55 m (21' 6"), 7.06 m (23' 2"), 9.0 m (29' 6") boom and 2.55 m (8' 4"), 2.9 m (9' 6"), 3.38 m (11' 1"), 4.0 m (13' 8"), 6.0 m (19' 8") arm



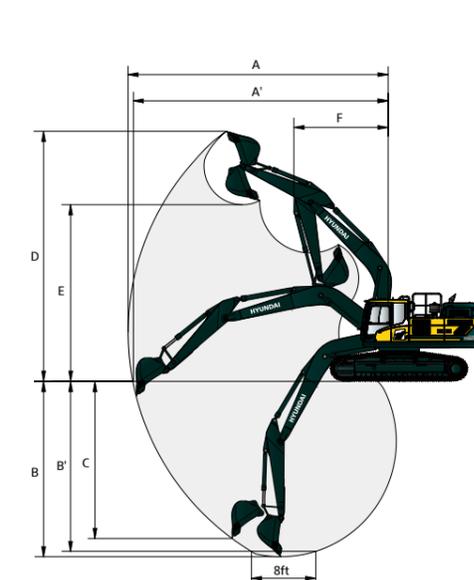
Unit : mm (ft-in)

A Tumbler Distance	4,475 (14' 8")
*B Overall Length of Crawler	5,482 (17' 2")
*C Ground Clearance of Counter Weight	1,438 (4' 6")
D Tail Swing Radius	3,800 (12' 6")
D' Rear-end Length	3,745 (12' 3")
E Overall Width of Upper Structure	2,980 (9' 9")
*F Overall Height of Cab	3,240 (10' 8")
*G Min. Ground Clearance	580 (1' 11")
H Track gauge	2,750 (9' 0")
*I Overall Height of Guardrail	3,443 (11' 6")

	6,550 (21' 6")		7,060 (23' 2")			9,000 (29' 6")
	2,550 (8' 4")	2,900 (9' 6")	2,550 (8' 4")	2,900 (9' 6")	3,380 (11' 1")	4,000 (13' 1")
Boom Length						
Arm Length						
J Overall Length	11,680 (38' 4")	11,690 (38' 4")	12,210 (40' 1")	12,220 (40' 1")	12,160 (39' 11")	12,150 (39' 10")
*K Overall Height of Boom	3,790 (12' 5")	3,950 (13' 0")	3,790 (12' 5")	3,850 (12' 8")	3,850 (12' 8")	3,890 (12' 9")
L Track Shoe Width	600 (24")		700 (28")		800 (32")	900 (36")
M Overall Width	3,350 (11' 0")		3,450 (12' 0")		3,550 (11' 8")	3,650 (12' 0")

* This figure includes the size of grousers.

HX500L WORKING RANGE



Unit : mm (ft-in)

	6,550 (21' 6")		7,060 (23' 2")			9,000 (29' 6")
	2,550 (8' 4")	2,900 (9' 6")	2,550 (8' 4")	2,900 (9' 6")	3,380 (11' 1")	4,000 (13' 1")
Boom length						
Arm length						
A Max. digging reach	10,870 (35' 8")	11,130 (36' 6")	11,410 (37' 5")	11,670 (38' 3")	12,060 (39' 7")	12,610 (41' 4")
A' Max. digging reach on ground	10,640 (34' 11")	10,910 (35' 10")	11,190 (36' 9")	11,460 (37' 7")	11,850 (38' 11")	12,410 (40' 9")
B Max. digging depth	6,460 (21' 2")	6,810 (22' 4")	6,900 (22' 8")	7,250 (23' 9")	7,730 (25' 4")	8,350 (27' 5")
B' Max. digging depth (8' level)	6,290 (20' 8")	6,650 (21' 10")	6,730 (22' 1")	7,090 (23' 3")	7,590 (25' 11")	8,220 (27' 0")
C Max. vertical wall digging depth	4,840 (15' 11")	4,900 (16' 1")	5,280 (17' 4")	5,710 (18' 9")	5,490 (18' 0")	6,170 (20' 3")
D Max. digging height	10,670 (35' 0")	10,630 (34' 11")	11,070 (36' 4")	11,090 (36' 5")	11,060 (36' 3")	11,330 (37' 2")
E Max. dumping height	7,210 (23' 8")	7,240 (23' 9")	7,600 (24' 11")	7,630 (25' 0")	7,710 (25' 4")	7,920 (26' 0")
F Min. swing radius	4,440 (14' 7")	4,450 (14' 7")	4,820 (15' 10")	4,880 (16' 0")	4,870 (16' 0")	4,630 (15' 2")

LIFTING CAPACITY

Rating over-front Rating over-side or 360 degree

HX500L MONO BOOM

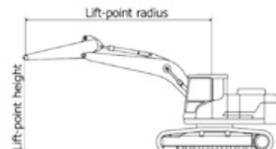
6.55 m (21' 6") boom, 2.55 m (8' 4") arm equipped with 600 mm (24") triple grouser shoe.

Lift-point height (m/ft)	Lift-point radius								At max. reach		
	3.0 m (9.8 ft)		4.5 m (14.8 ft)		6.0 m (19.7 ft)		7.5 m (24.6 ft)		Capacity		Reach
											m (ft)
9.0 m 29.5 ft	kg lb								*13,880 *30,600	*13,880 *30,600	5.79 (19.0)
7.5 m 24.6 ft	kg lb			*13,190 *29,080	*13,190 *29,080				*12,600 *27,780	11,120 24,520	7.22 (23.7)
6.0 m 19.7 ft	kg lb			*13,980 *30,820	*13,980 *30,820	*12,410 *27,360	10,350 22,820		*12,070 *26,610	9,040 19,930	8.12 (26.6)
4.5 m 14.8 ft	kg lb		*20,370 *44,910	*20,370 *44,910	*15,430 *34,020	14,080 31,040	*12,960 *28,570	10,050 22,160	*11,830 *26,080	7,970 17,570	8.67 (28.4)
3.0 m 9.8 ft	kg lb				*16,960 *37,390	13,300 29,320	*13,650 *30,090	9,670 21,320	*11,730 *25,860	7,440 16,400	8.94 (29.3)
1.5 m 4.9 ft	kg lb				*17,890 *39,440	12,720 28,040	*14,120 *31,130	9,340 20,590	*11,690 *25,770	7,300 16,090	8.94 (29.3)
Ground Line	kg lb		*21,030 *46,360	18,920 41,710	*17,850 *39,350	12,420 27,380	*14,030 *30,930	9,140 20,150	*11,620 *25,620	7,520 16,580	8.69 (28.5)
-1.5 m -4.9 ft	kg lb	*15,060 *33,200	*15,060 *33,200	*21,280 *46,910	19,020 41,930	*16,720 *36,860	12,370 27,270	*13,030 *28,730	9,120 20,110	*11,390 *25,110	8.15 (26.7)
-3.0 m -9.8 ft	kg lb	*20,530 *45,260	*20,530 *45,260	*17,830 *39,310	*17,830 *39,310	*14,160 *31,220	12,560 27,690		*10,720 *23,630	9,750 21,500	7.26 (23.8)

6.55 m (21' 6") boom, 2.90 m (9' 6") arm equipped with 600 mm (24") triple grouser shoe.

Lift-point height (m/ft)	Lift-point radius										At max. reach			
	3.0 m (9.8 ft)		4.5 m (14.8 ft)		6.0 m (19.7 ft)		7.5 m (24.6 ft)		9.0 m (29.5 ft)		Capacity		Reach	
													m (ft)	
9.0 m 29.5 ft	kg lb											*11,820 *26,060	*11,820 *26,060	6.19 (20.3)
7.5 m 24.6 ft	kg lb					*11,250 *24,800	10,500 23,150					*10,890 *24,010	10,410 22,950	7.54 (24.7)
6.0 m 19.7 ft	kg lb			*13,340 *29,410	*13,340 *29,410	*11,880 *26,190	10,400 22,930					*10,600 *23,370	8,550 18,850	8.41 (27.6)
4.5 m 14.8 ft	kg lb		*19,300 *42,550	*19,300 *42,550	*14,830 *32,690	14,150 31,200	*12,520 *27,600	10,050 22,160				*10,710 *23,610	7,570 16,690	8.94 (29.3)
3.0 m 9.8 ft	kg lb		*22,770 *50,200	20,130 44,380	*16,450 *36,270	13,320 29,370	*13,290 *29,300	9,640 21,250	*11,400 *25,130	7,320 16,140		*11,180 *24,650	7,070 15,590	9.20 (30.2)
1.5 m 4.9 ft	kg lb		*19,910 *43,890	19,030 41,950	*17,560 *38,710	12,660 27,910	*13,870 *30,580	9,270 20,440	*11,500 *25,350	7,140 15,740		*11,210 *24,710	6,920 15,260	9.20 (30.2)
Ground Line	kg lb		*23,720 *52,290	18,690 41,200	*17,760 *39,150	12,280 27,070	*13,950 *30,750	9,030 19,910				*11,220 *24,740	7,090 15,630	8.96 (29.4)
-1.5 m -4.9 ft	kg lb	*16,270 *35,870	*16,270 *35,870	*21,890 *48,260	18,720 41,270	*16,900 *37,260	12,180 26,850	*13,220 *29,150	8,960 19,750			*11,120 *24,520	7,690 16,950	8.44 (27.7)
-3.0 m -9.8 ft	kg lb	*22,850 *50,380	*22,850 *50,380	*18,760 *41,360	*18,760 *41,360	*14,740 *32,500	12,320 27,160	*10,960 *24,160	9,130 20,130			*10,700 *23,590	9,000 19,840	7.58 (24.9)
-4.5 m -14.8 ft	kg lb		*13,560 *29,890	*13,560 *29,890	*10,150 *22,380	*10,150 *22,380						*9,330 *20,570	*9,330 *20,570	6.27 (20.6)

- Lifting capacity are based on ISO 10567.
- Lifting capacity of HX Series does not exceed 75% of tipping load with the machine on firm, level ground or 87% of full hydraulic capacity.
- The Lift-point is bucket pivot mounting pin on the arm(without bucket mass).
- (*) indicates load limited by hydraulic capacity.



Rating over-front Rating over-side or 360 degree

HX500L MONO BOOM

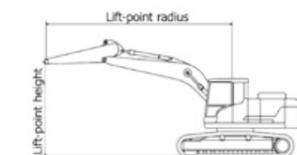
7.06 m (23' 2") boom, 2.55 m (8' 4") arm equipped with 600 mm (24") triple grouser shoe.

Lift-point height (m/ft)	Lift-point radius										At max. reach			
	3.0 m (9.8 ft)		4.5 m (14.8 ft)		6.0 m (19.7 ft)		7.5 m (24.6 ft)		9.0 m (29.5 ft)		Capacity		Reach	
													m (ft)	
9.0 m 29.5 ft	kg lb											*12,380 *27,290	*12,380 *27,290	6.60 (21.6)
7.5 m 24.6 ft	kg lb					*11,560 *25,490	10,500 23,150					*11,490 *25,330	9,630 21,230	7.87 (25.8)
6.0 m 19.7 ft	kg lb			*13,640 *30,070	*13,640 *30,070	*11,840 *26,100	10,300 22,710					*11,100 *24,470	8,030 17,700	8.71 (28.6)
4.5 m 14.8 ft	kg lb			*15,260 *33,640	13,770 30,360	*12,560 *27,690	9,920 21,870	*11,060 *24,380	7,470 16,470			*10,910 *24,050	7,170 15,810	9.22 (30.3)
3.0 m 9.8 ft	kg lb				*16,820 *37,080	12,950 28,550	*13,340 *29,410	9,490 20,920	*11,320 *24,960	7,280 16,050		*10,840 *23,900	6,730 14,840	9.47 (31.1)
1.5 m 4.9 ft	kg lb				*17,670 *38,960	12,390 27,320	*13,860 *30,560	9,150 20,170	*11,470 *25,290	7,100 15,650		*10,810 *23,830	6,600 14,550	9.48 (31.1)
Ground Line	kg lb			*17,570 *38,740	12,130 26,740	*13,880 *30,600	8,940 19,710	*11,210 *24,710	7,010 15,450			*10,770 *23,740	6,770 14,930	9.24 (30.3)
-1.5 m -4.9 ft	kg lb			*20,510 *45,220	18,740 41,310	*16,560 *36,510	12,110 26,700	*13,170 *29,030	8,900 19,620			*10,610 *23,390	7,320 16,140	8.74 (28.7)
-3.0 m -9.8 ft	kg lb	*19,190 *42,310	*19,190 *42,310	*17,720 *39,070	*17,720 *39,070	*14,510 *31,990	12,280 27,070	*11,260 *24,820	9,060 19,970			*10,150 *22,380	8,480 18,700	7.92 (26.0)
-4.5 m -14.8 ft	kg lb			*13,240 *29,190	*13,240 *29,190	*10,610 *23,390	*10,610 *23,390					*8,830 *19,470	*8,830 *19,470	6.66 (21.9)

7.06 m (23' 2") boom, 2.90 m (9' 6") arm equipped with 600 mm (24") triple grouser shoe.

Lift-point height (m/ft)	Lift-point radius										At max. reach			
	3.0 m (9.8 ft)		4.5 m (14.8 ft)		6.0 m (19.7 ft)		7.5 m (24.6 ft)		9.0 m (29.5 ft)		Capacity		Reach	
													m (ft)	
9.0 m 29.5 ft	kg lb											*11,510 *25,380	*11,510 *25,380	6.97 (22.9)
7.5 m 24.6 ft	kg lb					*10,980 *24,210	10,580 23,320					*10,810 *23,830	9,050 19,950	8.19 (26.9)
6.0 m 19.7 ft	kg lb			*13,030 *28,730	*13,030 *28,730	*11,370 *25,070	10,330 22,770					*10,500 *23,150	7,610 16,780	8.99 (29.5)
4.5 m 14.8 ft	kg lb			*19,780 *43,610	*19,780 *43,610	*14,660 *32,320	13,840 30,510	*12,140 *26,760	9,910 21,850	*10,690 *23,570	7,450 16,420	*10,370 *22,860	6,810 15,010	9.49 (31.1)
3.0 m 9.8 ft	kg lb					*16,310 *35,960	12,960 28,570	*12,980 *28,620	9,450 20,830	*11,040 *24,340	7,220 15,920	*10,340 *22,800	6,390 14,090	9.74 (31.9)
1.5 m 4.9 ft	kg lb					*17,350 *38,250	12,310 27,140	*13,600 *29,980	9,070 20,000	*11,280 *24,870	7,010 15,450	*10,360 *22,840	6,250 13,780	9.74 (32.0)
Ground Line	kg lb			*14,480 *31,920	*14,480 *31,920	*17,470 *38,510	11,980 26,410	*13,750 *30,310	8,820 19,440	*11,190 *24,670	6,880 15,170	*10,380 *22,880	6,390 14,090	9.51 (31.2)
-1.5 m -4.9 ft	kg lb			*21,210 *46,760	18,400 40,570	*16,700 *36,820	11,910 26,260	*13,230 *29,170	8,740 19,270	*10,370 *22,860	6,880 15,170	*10,320 *22,750	6,860 15,120	9.02 (29.6)
-3.0 m -9.8 ft	kg lb	*21,630 *47,690	*21,630 *47,690	*18,580 *40,960	*18,580 *40,960	*14,930 *32,910	12,040 26,540	*11,720 *25,840	8,840 19,490			*10,040 *22,130	7,870 17,350	8.23 (27.0)
-4.5 m -14.8 ft	kg lb			*14,450 *31,860	*14,450 *31,860	*11,610 *25,600	*11,610 *25,600					*9,130 *20,130	*9,130 *20,130	7.04 (23.1)

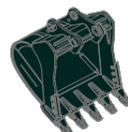
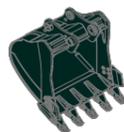
- Lifting capacity are based on ISO 10567.
- Lifting capacity of HX Series does not exceed 75% of tipping load with the machine on firm, level ground or 87% of full hydraulic capacity.
- The Lift-point is bucket pivot mounting pin on the arm(without bucket mass).
- (*) indicates load limited by hydraulic capacity.



BUCKET SELECTION GUIDE & DIGGING FORCE

BUCKETS

All buckets are welded with high-strength steel.



SAE heaped m³ (yd³)	GP	HD	Rock-HD
	1.38 (1.80)	2.20 (2.88)	2.20 (2.88)
	2.20 (2.88)	2.79 (3.65)	2.43 (3.18)
	3.00 (3.92)	3.20 (4.19)	2.79 (3.65)
			3.20 (4.19)

Capacity m³ (yd³)		Width mm (in)	Weight kg (lb)	Tooth (EA)	Recommendation mm (ft.in)						
SAE Heaped	CECE Heaped				6,550 (21' 6") Boom		7,060 (23' 2") Boom			9,000 (29' 6") Boom	
					2,550 (8' 4") Arm	2,900 (9' 6") Arm	2,550 (8' 4") Arm	2,900 (9' 6") Arm	3,380 (11' 1") Arm	4,000 (13' 1") Arm	6,000 (19' 8") Arm
(G)	1.38 (1.80)	1.24 (1.62)	1,130 (3,620)	4	●	●	●	●	●	●	▲
(G)	2.20 (2.88)	1.93 (2.52)	1,600 (63,000)	5	●	●	●	●	●	●	×
(G)	3.00 (3.92)	2.64 (3.45)	1,905 (75,000)	6	●	■	■	■	▲	▲	×
(H)	2.20 (2.88)	1.93 (2.52)	1,600 (63,000)	5	●	●	●	●	●	■	×
(H)	2.79 (3.65)	2.46 (3.22)	1,795 (70,700)	5	●	●	■	■	▲	▲	×
(H)	3.20 (4.19)	2.82 (3.69)	2,015 (79,300)	6	■	■	▲	▲	▲	×	×
(R)	2.20 (2.88)	1.93 (2.52)	1,600 (63,000)	5	●	●	●	●	●	×	×
(R)	2.43 (3.18)	2.11 (2.76)	1,745 (69,000)	5	●	●	●	■	■	×	×
(R)	2.79 (3.65)	2.46 (3.22)	1,795 (71,000)	5	●	■	■	▲	▲	×	×
(R)	3.20 (4.19)	2.82 (3.69)	2,015 (79,300)	6	■	▲	▲	▲	×	×	×

- (G) General Purpose
- (H) Heavy Duty
- (R) Rock-HD
- : Applicable for materials with density of 2,100 kg/m³ (3,500 lb/yd³) or less
- : Applicable for materials with density of 1,800 kg/m³ (3,000 lb/yd³) or less
- : Applicable for materials with density of 1,500 kg/m³ (2,500 lb/yd³) or less
- ▲ : Applicable for materials with density of 1,200 kg/m³ (2,000 lb/yd³) or less
- × : Not Recommended

ATTACHMENT

Booms and arms are of all-welded, low-stress, full-box section design. 6,550 mm (21' 6"), 7,060 mm (23' 2"), 9,000 mm (29' 6") boom and 2,550 mm (8' 4"), 2,900 mm (9' 6"), 3,380 mm (11' 1"), 4,000 mm (13' 1"), 6,000 mm (19' 8") arms are available, Hyundai Bucket are all-welded, high-strength steel implements.

DIGGING FORCE

Boom	Length	mm (ft.in)	6,550 (21' 6")		7,060 (23' 2")				9,000 (29' 6")	Remark
			kg (lb)		kg (lb)				kg (lb)	
Arm	Length	mm (ft.in)	2,550 (8' 4")	2,900 (9' 6")	2,550 (8' 4")	2,900 (9' 6")	3,380 (11' 1")	4,000 (13' 1")	6,000 (19' 8")	[]: Power Boost
			kg (lb)		kg (lb)		kg (lb)		kg (lb)	
Bucket Digging Force	SAE	kN	240.3 [262.1]	212.8 [232.1]	212.8 [232.1]	212.8 [232.1]	212.8 [232.1]	212.8 [232.1]	212.8	
		kgf	24,500 [26,730]	21,700 [23,670]	21,700 [23,670]	21,700 [23,670]	21,700 [23,670]	21,700 [23,670]	21,700	
		lbf	54,010 [58,930]	47,840 [52,180]	47,840 [52,180]	47,840 [52,180]	47,840 [52,180]	47,840 [52,180]	47,840	
	ISO	kN	279.5 [304.9]	247.1 [269.6]	247.1 [269.6]	247.1 [269.6]	247.1 [269.6]	247.1 [269.6]	247.1	
		kgf	28,500 [31,090]	25,200 [27,490]	25,200 [27,490]	25,200 [27,490]	25,200 [27,490]	25,200 [27,490]	25,200	
		lbf	62,830 [68,540]	55,560 [60,610]	55,560 [60,610]	55,560 [60,610]	55,560 [60,610]	55,560 [60,610]	55,560	
Arm Crowd Force	SAE	kN	235.4 [256.7]	218.7 [238.6]	235.4 [256.7]	218.7 [238.6]	198.1 [216.1]	173.6 [189.4]	127.5	
		kgf	24,000 [26,180]	22,300 [24,330]	24,000 [26,180]	22,300 [24,330]	20,200 [20,040]	17,700 [19,310]	13,000	
		lbf	52,910 [57,720]	49,160 [53,640]	52,910 [57,720]	49,160 [53,640]	44,530 [48,590]	39,020 [42,570]	28,660	
	ISO	kN	246.2 [268.5]	227.5 [248.2]	246.2 [268.5]	227.5 [248.2]	205.0 [223.6]	179.5 [195.7]	130.4	
		kgf	25,100 [27,380]	23,200 [25,310]	25,100 [27,380]	23,200 [25,310]	20,900 [22,800]	18,300 [19,960]	13,300	
		lbf	55,340 [60,360]	51,150 [55,800]	55,340 [60,360]	51,150 [55,800]	46,080 [50,270]	40,340 [44,000]	29,320	

Note : Boom weight includes arm cylinder, piping, and pin
Arm weight includes bucket cylinder, linkage, and pin

STANDARD / OPTION

ENGINE	STD	OPT
Cummins X12	●	
HYDRAULIC SYSTEM		
INTELLIGENT POWER CONTROL (IPC)		
3-Power Mode, 2-Work Mode, User Mode	●	
Variable Power Control	●	
Pump Flow Control (Upgraded IPC)	●	
Attachment Mode Flow Control		●
Engine Auto Idle	●	
Engine Auto Shutdown Control	●	
CAB & INTERIOR		
ISO STANDARD CABIN		
Cabin Lights (LED)		●
Cabin Front Window Rain Guard		●
Cabin Roof-Steel Cover		●
Rise-Up Type Windshield Wiper	●	
Radio / USB Player	●	
Handsfree Mobile Phone System with USB	●	
12 V Power Outlet (24 V DC to 12 V DC Converter)	●	
Electric Horn	●	
All-Weather Steel Cab with 360° Visibility	●	
Safety glass - Tempered glass	●	
Safety glass - Tempered glass with front laminated glass		●
Safety glass windows	●	
Sliding Fold-In Front Window	●	
Sliding Side Window (LH)	●	
Lockable Door	●	
Hot & Cool Box	●	
Storage Compartment	●	
Ashtray & Ashtray		●
Transparent Cabin Roof-Cover	●	
Sun Visor	●	
Door and Cab Locks, One Key	●	
Pilot-Operated Slidable Joystick	●	
Console Box Height Adjust System	●	
AUTOMATIC CLIMATE CONTROL		
Air Conditioner & Heater	●	
Defroster	●	
AUTOMATIC STARTING AID(AIR GRID HEATER) FOR WEATHER		
Starting Aid (Air Grid Heater) for Cold Weather	●	
CENTRALIZED MONITORING		
8" LCD Display - Normal type	●	
8" LCD Display - Premium type		●
Engine Speed or Trip Meter / Accel	●	
Engine Coolant Temperature Gauge	●	
Max Power	●	
Low Speed / High Speed	●	
Auto Idle	●	
Overload warning with alarm		●
Check Engine	●	
Air Cleaner Clogging	●	
Indicators	●	
Eco Gauges	●	
Fuel Level Gauge	●	
Hyd. Oil Temperature Gauge	●	
Fuel Warmer	●	
Warnings	●	
Communication Error	●	
Low Battery	●	
Clock	●	
SEAT		
Mechanical Suspension with Heater	●	
Mechanical Suspension without Heater		●
Adjustable Air Suspension without Heater		●
Adjustable Air Suspension with Heater		●
OPERATOR PROTECTIVE STRUCTURES		
General	●	
FOG (Falling Object Guard)		●
ISO 10262 Level2	Front & Tops Guard	●
	Top Guard	●
CABIN ROPS (ISO 12117-2)		
ROPS (Roll Over Protective Structures)	●	

SAFETY	STD	OPT
Battery Master Switch	●	
Rearview Camera		●
AAVM (Advanced Around View Monitoring)		●
Six Front Working Lights (4 Boom Mounted, 2 Front Frame Mounted)	●	
Travel Alarm	●	
Rear Work		●
Beacon Lamp		●
Automatic Swing Brake	●	
Boom Holding System	●	
Arm Holding System	●	
Safety Lock Valve for Boom Cylinder with Overload Warning Device		●
Safety Lock Valve for Arm Cylinder		●
Swing Lock System		●
Two Outside Rearview Mirror	●	

OTHERS	STD	OPT
Removable Clean-Out Dust Net for Cooler	●	
Removable Reservoir Tank	●	
Fuel Pre-Filter	●	
Fuel Warmer	●	
Self-Diagnostics System	●	
Hi MATE (Remote Management System)		●
Batteries (2 × 12 V × 200 AH)	●	
Fuel Filler Pump (50 lpm)		●
Single-Acting Piping Kit (Breaker, etc.)		●
Double-Acting Piping Kit (Clamshell, etc.)		●
Rotating Piping Kit		●
Quick Coupler Piping		●
Quick Coupler		●
Accumulator for Lowering Work Equipment	●	
Pattern Change Valve (2 Patterns)		●
Semi-Auto Grease(Pump&Gun)		●
Air Cleaner - Wet		●
Tool Kit		●

ATTACHMENT

BOOMS	STD	OPT
6.55 m, 21' 6"		●
7.06 m, 23' 2"	●	
9.00 m, 29' 7"		●
ARMS		
2.55 m, 8' 4"		●
2.90 m, 9' 6"		●
3.38 m, 11' 1"	●	
4.00 m, 13' 1"		●
6.00 m, 19' 8"		●

UNDERCARRIAGE

Lower Frame Under Cover (Additional)		●
Lower Frame Under Cover (Normal)	●	
TRACK SHOES		
Triple Grousers Shoes (600 mm, 24")	●	
Triple Grousers Shoe (700 mm, 28")		●
Triple Grousers Shoe (800 mm, 32")		●
Triple Grousers Shoe (900 mm, 36")		●
Double Grousers Shoe (600 mm, 24")		●
Triple Grousers Shoe HD(600 mm, 24")		●
Full Track Rail Guard		●
3piece Type Track Guard	●	

- Lifting capacity are based on ISO 10567.
- Lifting capacity of HX Series does not exceed 75% of tipping load with the machine on firm, level ground or 87% of full hydraulic capacity.
- The Lift-point is bucket pivot mounting pin on the arm(without bucket mass).
- (*) indicates load limited by hydraulic capacity.